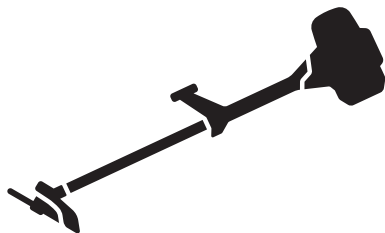




Husqvarna®



543RS

EN Operator's manual
ZH 操作手册

2-23
24-43

Contents

Introduction.....	2	Troubleshooting.....	21
Safety.....	3	Transportation and storage.....	21
Assembly.....	8	Technical data.....	22
Operation.....	13	Accessories.....	23
Maintenance.....	17		

Introduction

Product description

This product is a brushcutter with a combustion engine.

Work is constantly in progress to increase your safety and efficiency during operation. Speak to your servicing dealer for more information.

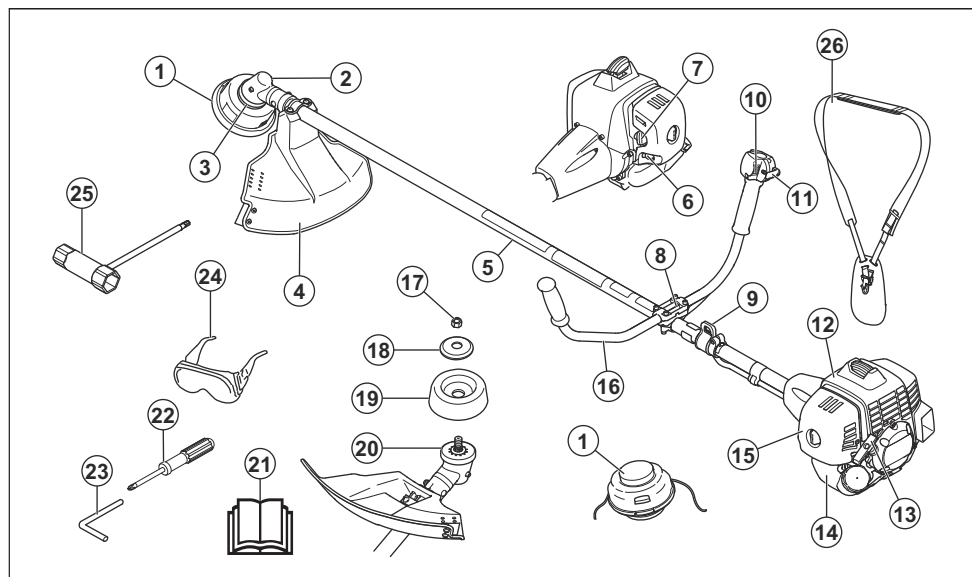
Intended use

The product can be used with a grass blade or a trimmer head to cut different types of vegetation. Do not use the

product for other tasks than grass trimming and grass clearing. Use a grass blade or trimmer head to cut grass.

Note: National or local regulations may regulate the use. Comply to given regulations.

Product overview



- | | |
|----------------------------------|----------------------|
| 1. Trimmer head | 7. Choke control |
| 2. Grease filler cap, bevel gear | 8. Handlebar clamp |
| 3. Bevel gear | 9. Suspension ring |
| 4. Cutting attachment guard | 10. Stop switch |
| 5. Shaft | 11. Throttle trigger |
| 6. Air purge bulb | 12. Cylinder cover |

13. Starter rope handle
14. Fuel tank
15. Air filter cover
16. Handlebar
17. Locknut
18. Support flange
19. Support cup
20. Drive disc
21. Operator's manual
22. Screwdriver
23. Locking pin
24. Approved eye protection
25. Socket wrench
26. Harness

Symbols on the product



WARNING! This product is dangerous. Injury or death can occur to the operator or bystanders if the product is not used carefully and correctly. To prevent injury to the operator or bystanders, read and obey all safety instructions in the operator's manual.



Read the operator's manual carefully and make sure that you understand the instructions before use.



Use a protective helmet in locations where objects can fall on you. Use approved hearing protection and approved eye protection.



Use approved protective gloves.



Use heavy-duty slip-resistant boots.



The product can cause objects to eject, which can cause injury.



Maximum speed of the output shaft.



Keep a minimum distance of 15 m / 50 ft. to persons and animals during operation of the product.



Risk of blade thrust if the cutting equipment touches an object that it does not immediately cut. The product can cut off body parts. Keep a minimum of 15 m / 50 ft. distance to persons and animals during operation of the product.



The arrows shows the limit for the handle position.



Air purge bulb.



Choke.

yyyywwxxxx

The rating plate shows the serial number. **yyyy** is the production year and **ww** is the production week.

Note: Other symbols/decals on the product refer to certification requirements for other commercial areas.

Product liability

As referred to in the product liability laws, we are not liable for damages that our product causes if:

- the product is incorrectly repaired.
- the product is repaired with parts that are not from the manufacturer or not approved by the manufacturer.
- the product has an accessory that is not from the manufacturer or not approved by the manufacturer.
- the product is not repaired at an approved service center or by an approved authority.

Safety

Safety definitions

The definitions below give the level of severity for each signal word.



WARNING: Injury to persons.



CAUTION: Damage to the product.

Note: This information makes the product easier to use.

General safety instructions



WARNING: Read the warning instructions that follow before you use the product.

- Use the product correctly. Injury or death is a possible result of incorrect use. Only use the product for the tasks found in this manual. Do not use the product for other tasks.
- Obey the instructions in this manual. Obey the safety symbols and the safety instructions. If the operator does not obey the instructions and the symbols, injury, damage or death is a possible result.
- Do not discard this manual. Use the instructions to assemble, to operate and to keep your product in good condition. Use the instructions for correct installation of attachments and accessories. Only use approved attachments and accessories.
- Do not use a damaged product. Obey the maintenance schedule. Only do the maintenance work that you find an instruction about in this manual. An approved service center must do all other maintenance work.
- This manual cannot include all situations that can occur when you use the product. Be careful and use your common sense. Do not operate the product or do maintenance on the product if you are not sure about of the situation. Speak to a product expert, your dealer, service agent or approved service center for information.
- Disconnect the spark plug cable before you assemble the product, put the product into storage or do maintenance.
- Do not use the product if it is changed from its initial specification. Do not change a part of the product without approval from the manufacturer. Only use parts approved by the manufacturer. Injury or death is a possible result of incorrect maintenance.
- Do not breathe in the fumes from the engine. Long-term inhalation of the engine's exhaust fumes is a health risk.
- Do not start the product indoors or near flammable material. The exhaust fumes are hot and can contain a spark which can start a fire. Not sufficient airflow can cause injury or death because of asphyxiation or carbon monoxide.
- When you use this product the engine makes an electromagnetic field. The electromagnetic field can cause damage to medical implants. Speak to your physician and medical implant manufacturer before you operate the product.
- Do not let a child operate the product. Do not let a person without knowledge of the instructions operate the product.
- Make sure that you always monitor a person, with decreased physical capacity or mental capacity, that uses the product. A responsible adult must be there at all times.

- Lock the product in an area that children and unapproved persons cannot access.
- The product can eject objects and cause injuries. Obey the safety instructions to decrease the risk of injury or death.
- Do not go away from the product when the engine is on.
- The operator of the product is responsible if an accident occurs.
- Make sure that parts are not damaged before you use the product.
- Make sure that you are at minimum 15 m (50 ft) away from other persons or animals before you use the product. Make sure that persons in the adjacent area know that you will use the product.
- Refer to national or local laws. They can prevent or decrease the operation of the product in some conditions.
- Do not use the product if you are fatigued or influenced by alcohol, drugs or medicine. They can have effects on your vision, alertness, coordination or judgment.

Safety instructions for assembly



WARNING: Read the warning instructions that follow before you use the product.

- Remove the spark plug cap from the spark plug before you assemble the product.
- Make sure that the correct handlebar and cutting attachment guard are assembled before you operate the product.
- A defective or incorrect cutting attachment guard can cause injury. Do not use a cutting attachment without an approved cutting attachment guard.
- Attach the clutch cover and shaft correctly before you start the product.
- The drive disc and support flange must engage correctly in the center hole of the cutting attachment. A cutting attachment that is attached incorrectly can cause injury or death.
- Attach the harness to the product to prevent injury to the operator or others.

Safety instructions for operation

- Make sure the product is fully assembled before you use it.
- Before a start, move the product 3 m (10 ft) away from the position where you filled the fuel tank. Put the product on a flat surface. Make sure that the cutting attachment does not touch the ground or other objects.
- The product can cause objects to eject, which can cause damage to the eyes. Always use an approved eye protection when you operate the product.
- Be careful, a child can come near the product without your knowledge during operation.

- Do not operate the product if there are persons in the work area. Stop the product if a person goes into the work area.
- Make sure that you are always in control of the product.
- Do not use the product if you cannot receive aid if an accident occurs. Always make sure others know you will operate the product before you start to operate the product.
- Do not turn with the product before you make sure that no persons or animals are in the safety area.
- Remove all unwanted materials from the work area before you start. If the cutting attachment hits an object, the object can eject and cause injury or damage. Unwanted material can wind around the cutting attachment and cause damage.
- Do not use the product in bad weather (fog, rain, strong winds, risk of lightning or other weather conditions.). Dangerous conditions (such as slippery surfaces) can occur because of bad weather.
- Make sure that you can move freely and work in a stable position.



- Make sure that you cannot fall when you use the product. Do not tilt when you operate the product.
- Always hold the product with your two hands. Hold the product on the right side of your body.



- Operate the product with the cutting attachment below your waist.
- If the choke control is in the choke position when the engine starts, the cutting attachment starts to turn.
- Do not touch the bevel gear after the engine stops. The bevel gear is hot after the engine stops. Hot areas can cause injury.
- Stop the engine before you move the product.
- Do not put down the product with the engine on.
- Before you remove the unwanted materials from the product, stop the engine and wait until the cutting

attachment stops. Let the cutting attachment stop before you or an aid remove the cut material.

Personal protective equipment



WARNING: Read the warning instructions that follow before you use the product.

- Always use correct personal protective equipment when you operate the product. The personal protective equipment does not erase the risk of injury. The personal protective equipment decreases the grade of injury if an accident occurs.
- Always use an approved eye protection while you operate the product.
- Do not operate the product with bare feet or with open shoes. Always use heavy-duty slip-resistant boots.
- Use heavy, long pants.
- If it is necessary, use approved protective gloves.
- Use a helmet if it is possible that objects fall on your head.
- Always use approved ear protection while you operate the product. Noise for a long period can cause noise-induced hearing loss.
- Make sure that you have a first aid kit near.

Protective devices on the product

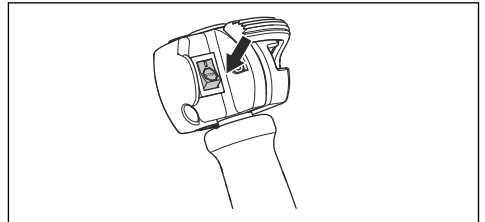
- Make sure that you regularly do the maintenance to the product.
 - The life of the product increases.
 - The risk of accidents decreases.

Let an approved dealer or an approved service center regularly examine the product to do adjustments or repairs.

- Do not use a product with damaged protective equipment. If the product is damaged, speak to an approved service center.

To do a check of the stop switch

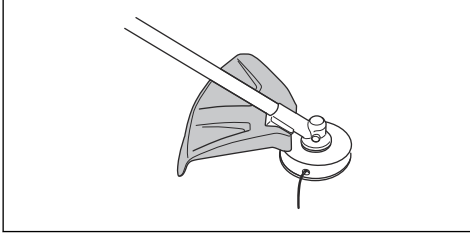
1. Start the engine.
2. Move the stop switch to the stop position and make sure that the engine stops.



To do a check of the cutting attachment guard

The cutting attachment guard stops objects that ejects in the direction of the operator. It also prevents injuries that occur if you touch the cutting attachment.

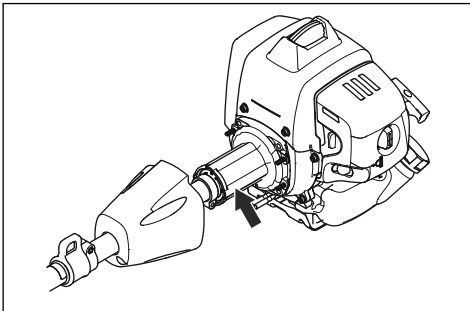
1. Stop the engine.
2. Do a visual check for damages, for example cracks.



3. Replace the cutting attachment guard if it is damaged.

To do a check of the vibration damping system

The vibration damping system decreases vibration in the handles to a minimum which makes the operation easier.



1. Stop the engine.
2. Do a visual check for deformation and damage, for example cracks.
3. Make sure that the elements of the vibration damping system are attached correctly.

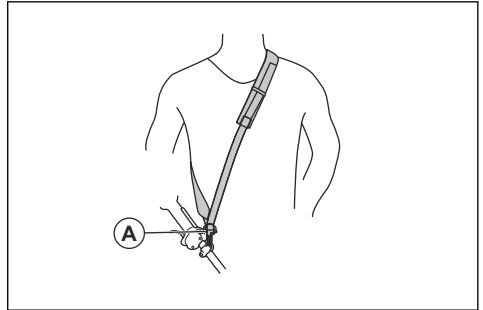
Harness quick release



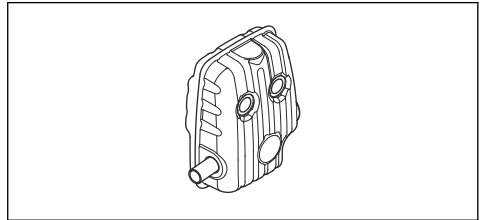
WARNING: Do not use the harness if the harness quick release (A) is defective. Make sure that the harness quick release operates correctly after you adjust the product and the harness.

The harness quick release (A) is at the front of the product. The harness straps must always stay at the

correct position. In an emergency, the harness quick release helps you to safely release from the product.



Muffler



The muffler keeps the noise level to a minimum and keeps exhaust fumes away from the operator.

- Do not use an engine with a damaged muffler. A damaged muffler increases the noise level and the risk of fire. Keep a fire extinguisher near.
- Examine regularly that the muffler is attached to the product.
- Do not touch the engine or the muffler when the engine is on. Do not touch the engine or the muffler for a while after the engine stops. Hot surfaces can cause injuries.
- A hot muffler can cause a fire. Be careful, if you use the product near flammable liquids or fumes.
- Do not touch the parts in the muffler, if the muffler is damaged. The parts can contain some carcinogenic chemicals.

To attach and remove the locknut

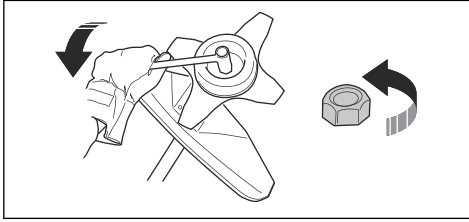


WARNING: Stop the engine, use protective gloves and be careful around the sharp edges of the cutting attachment.

A locknut is used to attach some types of cutting attachments. The locknut has a left thread.

- To attach, tighten the locknut in the opposite direction to the direction of turning of the cutting attachment.
- To remove the locknut, loosen the locknut in the same direction as the cutting attachment rotates.

- To loosen and tighten the locknut, use a socket wrench with a long shaft. The arrow in the picture shows the area where you can operate the socket wrench.



WARNING: When you loosen and tighten the locknut, there is a risk of injury from the blade. You must always make sure that the blade guard prevents injury to your hand when you do this.

Note: Make sure that you can not turn the locknut by hand. Replace the nut if the nylon lining does not have a resistance of a minimum of 1.5 Nm. The locknut must be replaced after it has been put on approximately 10 times.

Cutting equipment

Select correct cutting equipment and do maintenance on the cutting equipment to:

- Get maximum cutting performance.
- Increase lifetime of the cutting equipment.



WARNING: Only use cutting attachments with the guards we recommend! See *Accessories on page 23*. Refer to the instructions for the cutting attachment to find the correct way to load the trimmer line and the correct trimmer line diameter.



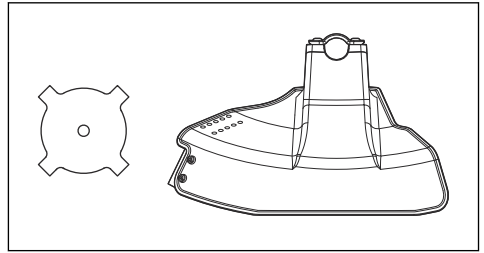
WARNING: A defective cutting attachment may increase the risk of accidents.



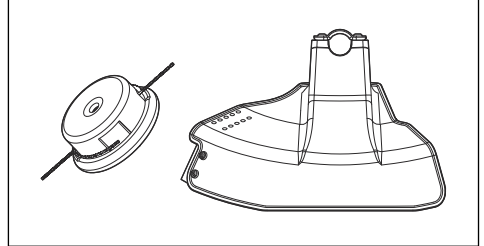
WARNING: Always stop the engine before you do the work on the cutting attachment. This continues to rotate after you release the throttle. Make sure that the cutting attachment has stopped fully and disconnect the spark plug cap before you start the work on it.

Cutting equipment

- Use the blades to cut coarse grass.



- Use the trimmer head to trim grass.

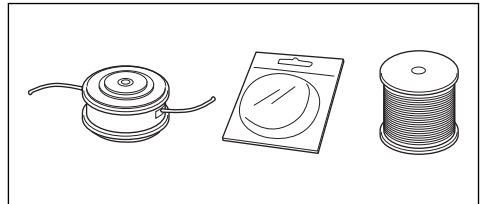


- An incorrectly sharpened or damaged blade increases the risk of accidents. Keep the teeth of the blade correctly sharpened. Follow the instructions and use the recommended file gauge.
- Check the cutting attachment for damage or cracks. Replace a damaged cutting attachment.
- Only use cutting attachments with recommended guards. Refer to *Accessories on page 23*.

Trimmer head



WARNING: Always make sure the trimmer line is wound tightly and evenly around the drum to prevent harmful vibration.



- Only use recommended trimmer heads and trimmer lines.
- Only use recommended cutting attachments.
- Smaller machines requires small trimmer heads and vice versa.
- The length of the trimmer line is important. A longer trimmer line requires greater engine power than a shorter trimmer line of the same diameter.
- Make sure that the cutter on the trimmer guard is intact. This cuts the trimmer line to the correct length.

- Soak the trimmer line in water for a couple of days before use to increase the life length.

Grass blades and grass cutters

- Use the product with an approved grass blade. Do not use a grass blade without proper installation of all required parts. Make sure that the installation is done correctly and that the proper parts are used. Improper installation may cause the blade to fly off and seriously injure the operator or the bystanders.
- Wear protective gloves when you handle or do maintenance on the blade.
- Use head protection when you operate a product with a grass blade.
- Grass blades and grass cutters are used to cut rough grass.
- A grass blade can cause injury while it continues to spin after the engine is stopped or the throttle trigger is released. Make sure that the grass blade has completely stopped rotating before any maintenance.
- Stop the engine before you do work on the cutting attachment. Make sure the cutting attachment fully stops. Disconnect the lead from the spark plug.
- Only use an approved cutting attachment or a correctly sharpened blade.
- Keep the teeth of the blade correctly sharpened.
- Do not use a damaged cutting attachment.
- Attach the transport guard to the grass blade when you transport or store the product.

Blade thrust

- A blade thrust is a sudden movement of the product to the side, forward or rearward. A blade thrust occurs when the grass blade hits an object that cannot be cut. In areas where it is not easy to see the material being cut the risk of blade thrust increases.
- When a blade thrust occurs, there is a risk that the product or the operator moves out of position. A blade that moves can hit bystanders and there is a risk of injuries.
- If a blade is bent, has cracks, is broken or damaged, discard the blade.
- Use a sharp blade. The risk of blade thrust increases when a blade is not sharp.

Fuel safety

- Do not start the product if there is fuel or engine oil on the product. Remove the unwanted fuel/oil and let

the product dry. Remove unwanted fuel from the product.

- If you spill fuel on your clothing, change clothing immediately.
- Do not get fuel on your body, it can cause injury. If you get fuel on your body, use a soap and water to remove the fuel.
- Do not start the engine if you spill oil or fuel on the product or on your body.
- Do not start the product if the engine has a leak. Examine the engine for leaks regularly.
- Be careful with fuel. Fuel is flammable and the fumes are explosive and can cause injuries or death.
- Do not breathe in the fuel fumes, it can cause injury. Make sure that there is a sufficient airflow.
- Do not smoke near the fuel or the engine.
- Do not put warm objects near the fuel or the engine.
- Do not add the fuel when the engine is on.
- Make sure that the engine is cool before you refuel.
- Before you refuel, open the fuel tank cap slowly and release the pressure carefully.
- Do not add fuel to the engine in an indoor area. Not sufficient airflow can cause injury or death because of asphyxiation or carbon monoxide.
- Tighten the fuel tank cap carefully or a fire can occur.
- Move the product at a minimum of 3 m (10 ft) from the position where you filled the tank before a start.
- Do not put too much fuel in the fuel tank.
- Make sure that a leak cannot occur when you move the product or fuel container.
- Do not put the product or a fuel container where there is an open flame, spark or pilot light. Make sure that the storage area does not contain an open flame.
- Only use approved containers when you move the fuel or put the fuel into storage.
- Empty the fuel tank before long-term storage. Obey the local law on where to dispose fuel.
- Clean the product before long-term storage.
- Remove the spark plug cable before you put the product into storage to make sure that the engine does not start accidentally.

Safety instructions for maintenance

- If you cannot adjust the idle speed to make the cutting attachment stop, speak to your service center. Do not use the product until the product is correctly adjusted or repaired.

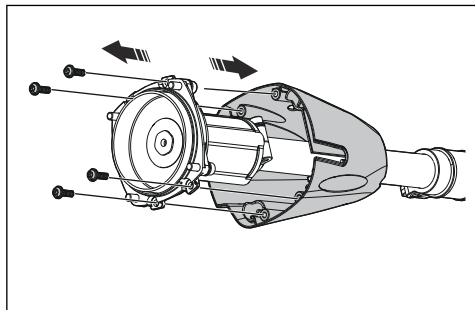
Assembly



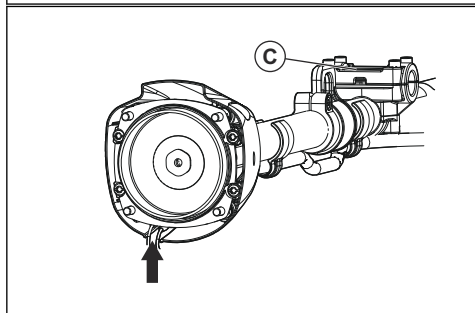
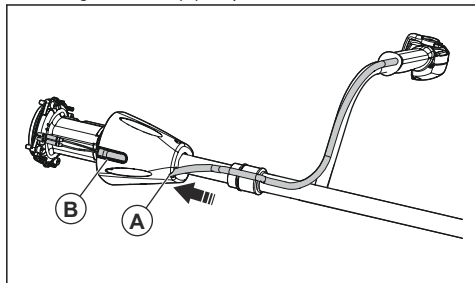
WARNING: Read the safety chapter before you assemble the product.

To install the throttle cable and stop switch wires

1. Remove the 4 screws.



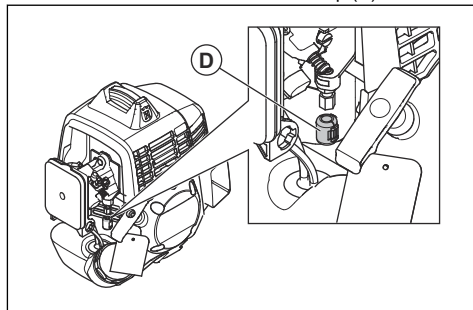
2. Put the throttle cable through the hole (A), then through the hole (B) on plastic cover.



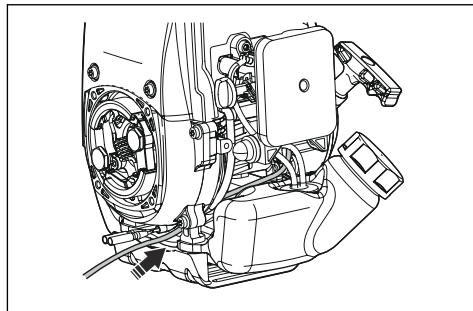
Note: Make sure that the hole (B) is on the opposite side of the handlebar clamp (C).

3. Install and tighten the screws.

4. Remove the air filter cover and clamp (D).

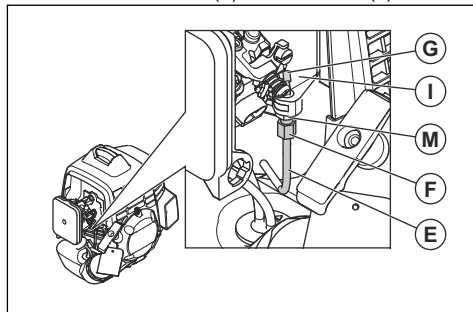


5. Install the throttle cable through the space between the tank and the crankcase.



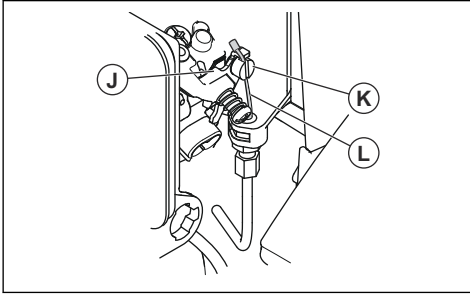
Note: Make sure that the throttle cable goes through the correct position.

6. Put the throttle cable (E) into the sleeve (F).



Note: Make sure that the cable lug (G) goes out of the insulator (I).

7. Turn the throttle lever (J) clockwise, adjust the swivel (K).
(K).

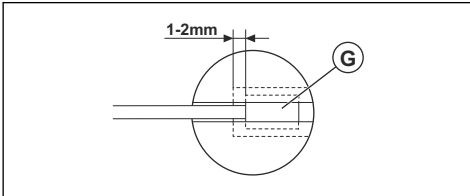


Note: Make sure that the larger side of the groove in the swivel (K) is on the top.

8. Put the throttle cable (L) in the groove of the swivel (K) and turn the throttle lever (J) to the rear side.

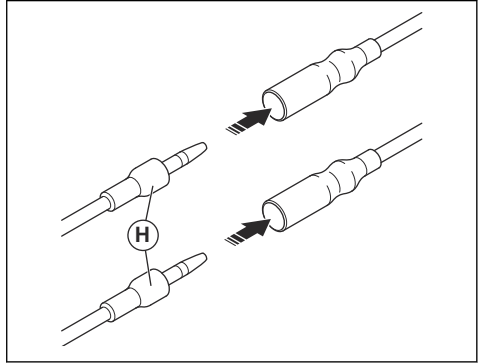
Note: Make sure that the cable lug (G) falls into the groove.

9. Operate the throttle trigger to make sure that it operates correctly.
10. Adjust the cable adjuster sleeve (F).
- Make sure that the throttle lever (J) touches the "T" screw at the stop position correctly.
 - Make sure that the cable position keeps 1-2 mm between the cable lug (G) and the swivel when the throttle trigger is fully released.



11. When the throttle cable (E) is adjusted correctly, tighten the locknut (M).

12. Connect the stop switch wires (H) with the connectors from the engine.

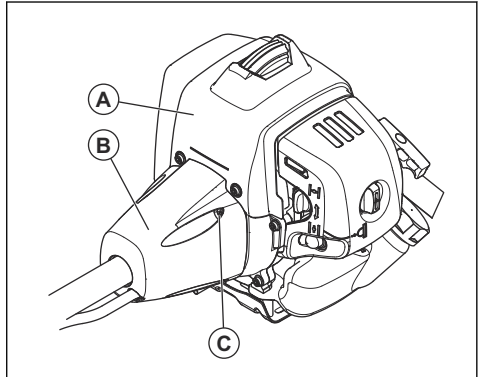


13. Install the air filter cover and clamp (D).

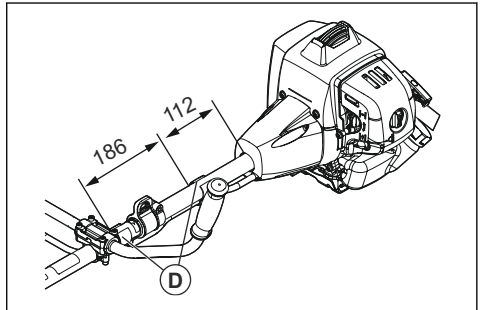
Note: Make sure that the clamp (D) is installed.

To install the body of the product

1. Connect the engine unit (A) to the tube (B) with 4 screws (C).

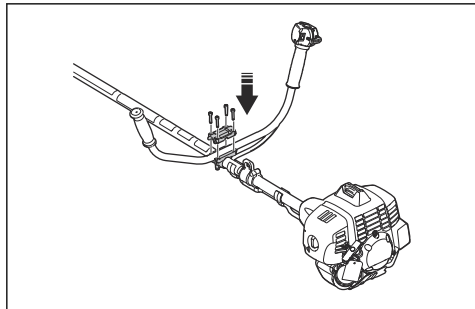


2. Install the clamp (D).

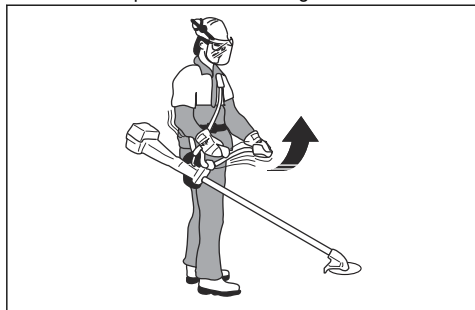


To install the handlebar and harness

1. Install the handlebar in the handlebar clamp on the shaft.



2. Put on the harness and hang the product from the suspension ring.
3. Make a last adjustment to make sure the product is in a correct position when it hangs from the harness.



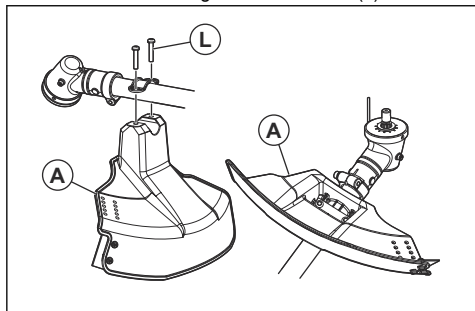
4. Tighten the screws.

To install a blade guard and grass blade

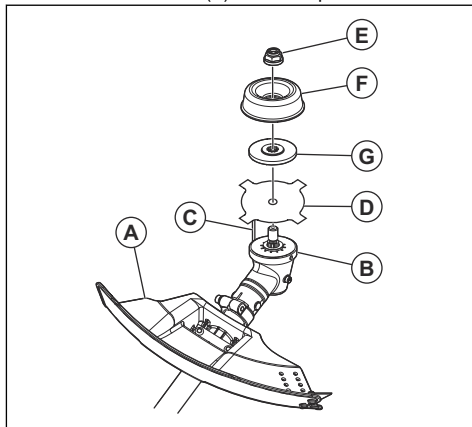


CAUTION: Only use the approved guard for the blades. Refer to *Accessories on page 23*.

1. Attach the blade guard/cutting attachment guard (A) onto the shaft and tighten with the bolt (L).



2. Install the drive disc (B) on the output shaft.



3. Turn the output shaft until 1 of the holes in the drive disc aligns with the related hole in the gear housing.
4. Put the locking pin (C) in the hole to lock the shaft.
5. Put the blade (D), support flange (G) and support cup (F) on the output shaft.
6. Install the nut (E). Hold the shaft of the wrench near the blade guard. To tighten the nut, you must turn the wrench in the opposite direction of rotation. Tighten the nut to a torque of 35-50 Nm/3.5-5 kpm.

Note: Left hand thread.

To install blades and trimmer heads



WARNING: Only use the approved guard for the blades. See *Accessories on page 23*. A defective guard can cause injury.



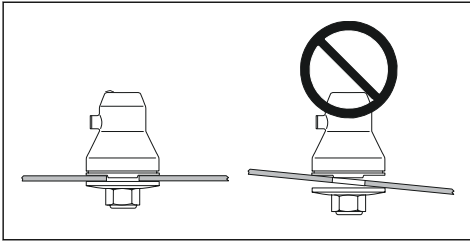
WARNING: If you operate the product with a grass blade, first install the correct handlebar, blade guard and harness .



WARNING: If you do not install the the blades correctly, it can cause injury.

1. Make sure that the lifted section on the drive disc/ support flange engages correctly in the center hole of the blades.

2. Install the blades.

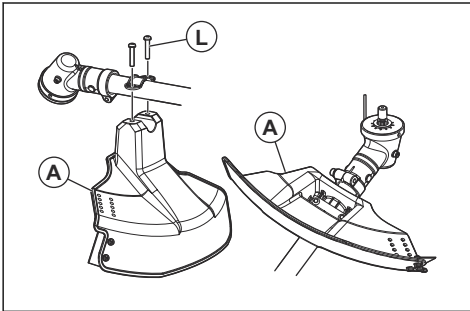


To attach the trimmer guard and the trimmer head

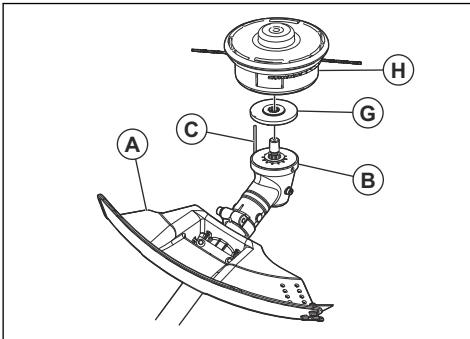


WARNING: Use the correct trimmer guard for the correct trimmer head.

1. Attach the trimmer guard (A) to the shaft with the bolts (L).

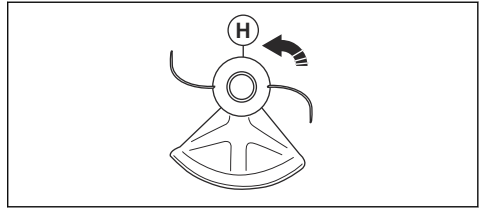


2. Attach the drive disc (B) and support flange (G) to the output shaft.



3. Turn the output shaft until the hole in the drive disc aligns with the hole in the gear housing.
4. Put the locking pin (C) in the hole to lock the shaft.

5. Turn the trimmer head (H) counterclockwise.



6. To disassemble, do the reverse procedure.

To adjust the harness

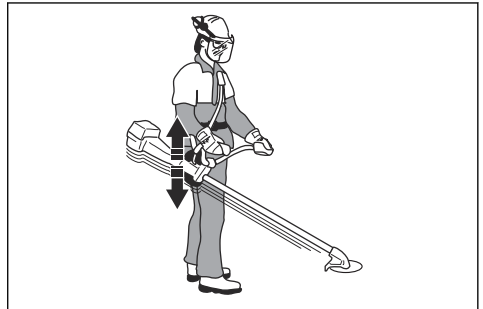


WARNING: The product must always be correctly attached to the harness. If not, you cannot control the product safely and this can result in injury to you or others. Do not use a defective harness. Do not use a harness with a defective quick release.

1. Put on the harness.
2. Connect the product to the harness.
3. Adjust the harness for the best work position.
4. Adjust the side straps to make the product weigh equally on your shoulders.



5. Adjust the harness until the cutting attachment is parallel to the ground.



6. Let the cutting attachment stay lightly on the ground. Adjust the harness clamp to balance the product correctly.

Note: If you use a grass blade, it must balance approximately 10 cm / 4 in above the ground.

Operation



WARNING: Read and understand the safety chapter before you operate the product.

Fuel

To use fuel



CAUTION: This product has a two-cycle engine. Use a mixture of gasoline and two-cycle engine oil. Make sure to use the correct quantity of oil in the mixture. Incorrect ratio of gasoline and oil can cause damage to the engine.

Gasoline



CAUTION: Do not use gasoline with an octane number less than 90 RON (87 AKI). This can cause damage to the product.



CAUTION: Do not use gasoline with more than 10% ethanol concentration (E10). This can cause damage to the product.



CAUTION: Do not use leaded gasoline. This can cause damage to the product.

- Always use new unleaded gasoline with a minimum octane number of 90 RON (87 AKI) and with less than 10% ethanol concentration (E10).
- Use gasoline with a higher octane number if you frequently use the product at continuously high engine speed.
- Always use a good quality unleaded gasoline/oil mixture.

Two-cycle engine oil

- Use only the two-cycle engine oil of high quality, especially HUSQVARNA two-cycle oil. Use only the oil of an air cooled engine.
- Mixture ratio 50:1 (2%).
- Oil of low quality and high oil/fuel ratio can decrease the lifetime of catalytic converters.
- Speak to your dealer when you select an oil.
- If Husqvarna two-stroke oil is not available, you can use another two-stroke oil of good quality that is intended for air cooled engines. Contact your dealer when you select oil.
- Do not use the two-stroke oil for water-cooled outboard engines. The two-stroke oil is sometimes referred to as outboard oil.

Gasoline, liter	Oil, liter
	2%(50:1)
5	0,1
10	0,2
15	0,3
20	0,4

To make the fuel mixture

Note: Always use a clean fuel container when you mix the fuel.

Note: Do not make more than 30 days quantity of fuel mixture.

1. Add half of the gasoline quantity.
2. Add the full quantity of oil.
3. Shake the fuel mixture to mix the contents.
4. Add the remaining gasoline quantity.
5. Shake the fuel mixture to mix the contents.
6. Fill the fuel tank.

To add fuel



WARNING: Do not smoke or put hot objects near fuel. Before you add fuel, stop the engine and let it cool for minutes.



WARNING: When you add fuel, open the fuel tank cap slowly to release unwanted pressure.



WARNING: After you add fuel, tighten the fuel tank cap carefully. Move the machine away from the refuelling area and the power before you start the engine.

- Always use a fuel container with an anti-spill valve.
- Make sure that the area near the fuel tank cap is clean. Contamination in the tank can cause operating problems.
- Shake the fuel container before you add the fuel mixture to the fuel tank.

To start and stop

To examine before start

1. Examine the product for missing, damaged, loose or worn parts.

2. Examine the nuts, screws and bolts.
3. Examine the blades.
4. Examine the locknut. Make sure that the locknut has a minimum locking force of 1.5 Nm (1,1 ft lb). Torque the locknut to 35-50 Nm (26-36 ft lb).
5. Examine the air filter.
6. Examine the throttle and the throttle control.
7. Examine the stop switch.
8. Examine the product for fuel leaks.
9. Examine the throttle trigger. Make sure that the throttle trigger is in the idle position.

To start a cold engine



WARNING: Before you start the product, install the complete clutch cover and shaft. The loose clutch can cause injury. Use protective gloves.

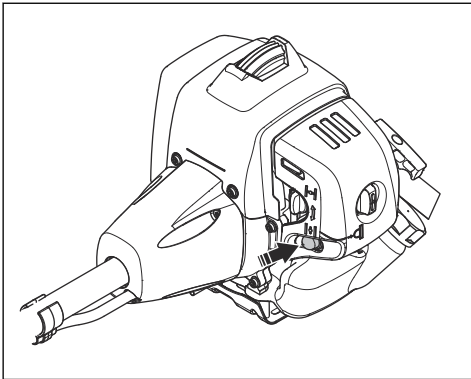


WARNING: Move the product away from the position where you filled the tank. Put the product on a flat surface. Make sure that no objects touch the cutting attachment.

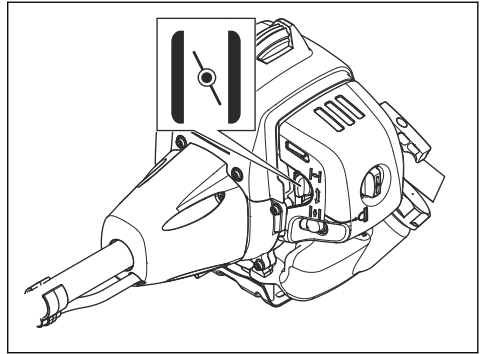


WARNING: Make sure that no persons that are not approved are in the work area. There is a risk of serious injury. The safety distance is 15 m/50 ft.

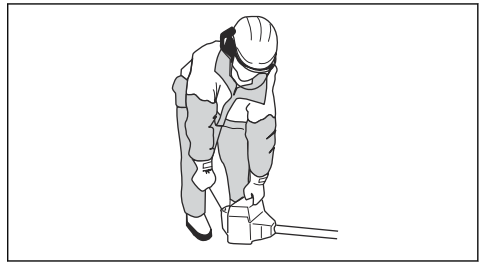
1. Set the stop switch to the start position.
2. Push the air purge bulb until fuel starts to fill the bulb. It is not necessary to fill the air purge bulb fully.



3. Set the choke control to the choke position.



4. Hold the body of the product on the ground with your left hand.



CAUTION: Do not put your feet on the product.

5. Pull the starter rope handle slowly until you feel some resistance. When you feel resistance, pull the starter rope handle quickly and with force.



WARNING: Do not wind the starter rope around your hand.

6. Continue to pull the starter rope handle until the engine starts.



CAUTION: Do not pull the starter rope to full extension and do not let go of the starter rope handle. Release the starter rope slowly. If you do not obey these instructions, the engine can become damaged.

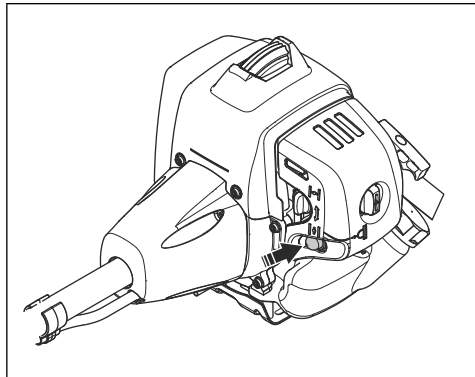
7. Set the choke control to the operation position.
8. Warm up at idle speed for 60 seconds.



WARNING: Do not touch the cover. It can burn your skin and cause electrical shock if the spark plug cap is damaged. Do not use a product with damaged spark plug cap.

To start a warm engine

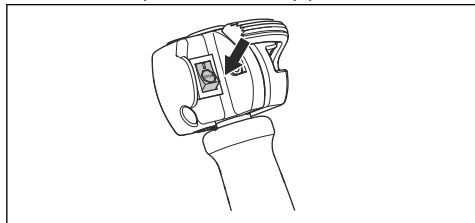
1. Set the stop switch to the start position.
2. Push the air purge bulb until fuel starts to fill the bulb. It is not necessary to fill the air purge bulb fully.



3. Set the choke control to the operation position.
4. Pull the starter rope handle until the engine starts.

To stop the engine

1. Push the throttle trigger to the idle position.
2. Move the stop switch to the stop position.



To operate the grass trimmer



CAUTION: Make sure that you slow the engine to idle speed after each operation. A long period at full throttle without a load on the engine can cause damage to the engine.

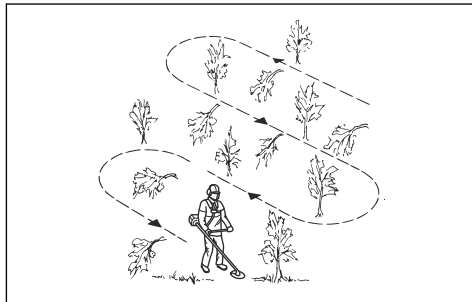
Note: Clean the cover of the trimmer head when you attach a new trimmer line to prevent vibrations. Examine other parts of the trimmer head and clean if it is necessary.

General work instructions

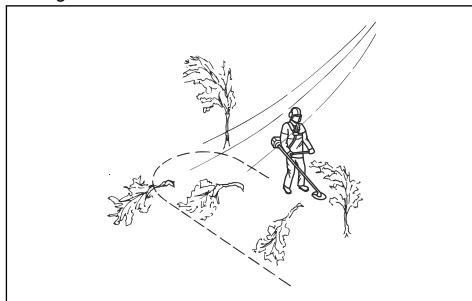


WARNING: Be careful when you cut a tree that is in tension. It can spring back to its normal position before or after the cut and hit you or the product, and cause injury.

- Clear an open space at one end of the work area, and start the work from there.
- Move in a regular pattern across the work area.



- Move the product fully to the left and right, to clear a width of 4–5 m (13–16 ft) on each turn.
- Clear a length of 75 m (250 ft) before you turn and go back. Move the fuel can along with you as you continue.
- Move in a direction where you do not go across ditches and obstacles more than necessary.
- Move in a direction where the wind makes the cut vegetation fall in the cleared area.

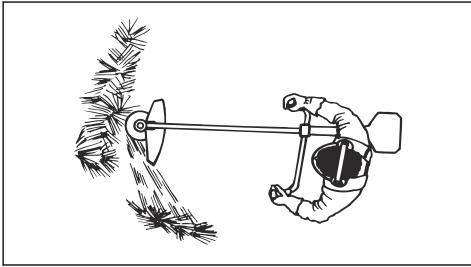


- Move along slopes, not up and down.

To clear grass with a grass blade

1. Keep your feet apart during operation of the product. Make sure feet are tightly against the ground.
2. Put the support cup lightly on the ground. This prevents the blade from touching the ground.

- Use a sideways movement from right to left for a clear stroke. Use the left side of the blade (between 8 and 12 o'clock) to cut.

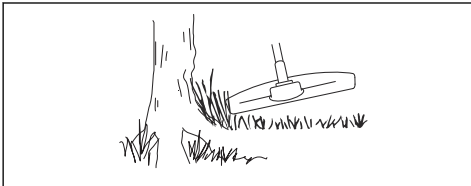


- Angle the blade to the left when you clear grass.

Note: The grass collects easily in a line.

- Use a sideways movement from left to right for the return stroke.
- Do the work rhythmically.
- Move forward and keep feet tightly against the ground.
- Stop the engine.
- Remove the product from the clip on the harness.
- Put the product on the ground.
- Collect the cut material.

To clear

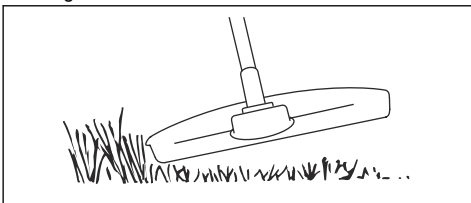


To achieve the best results:

- Hold the trimmer so that the trimmer head is just above the ground.
- Tilt the trimmer head at a slight angle.
- Let the end of the trimmer line strike the ground around objects

To trim the grass

- Hold the trimmer head immediately above the ground at an angle. Do not push the trimmer line into the grass.

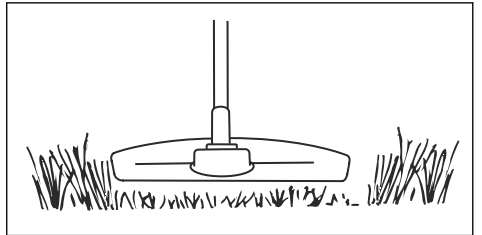


- Decrease the length of the trimmer line by 10-12 cm / 4-4.75 in.
- Decrease the engine speed to decrease the risk of damage to plants.
- Use 80 % throttle when you cut grass near objects.

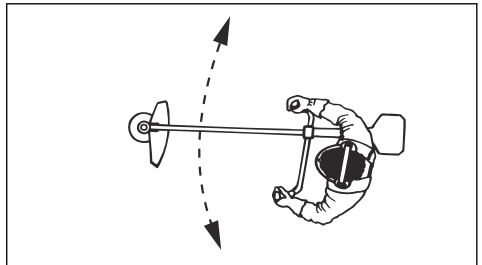


To cut the grass

- Make sure that the trimmer line is parallel to the ground when you cut.



- Do not push the trimmer head to the ground. The ground and the product can be damaged.
- Do not let the trimmer head touch the ground continuously, it can cause damage to the trimmer head.
- Use full throttle when you move the product from side to side to cut grass.



To sweep the grass

The airflow from the rotating trimmer line can be used to remove cut grass from an area.

- Hold the trimmer head and its trimmer line parallel to the ground and above the ground.
- Apply full throttle.
- Move the trimmer head from side to side and sweep the grass.



WARNING: Clean the trimmer head cover each time you assemble new trimmer line to prevent unbalance and vibrations in the handles. Also do a check of the other parts

of the trimmer head and clean it if necessary.

To replace trimmer line

Refer to *PT104* on page 29

Maintenance



WARNING: Read and understand the safety chapter before you clean, repair or do maintenance on the product.

Maintenance schedule

Maintenance	Daily	Weekly	Monthly
Clean the external surface.	X		
Examine the harness for damages.	X		
Do a check of the throttle and the throttle trigger.	X		
Make sure that the cutting attachment does not rotate at idle speed.	X		
Do a check of the stop switch. Refer to <i>To do a check of the stop switch on page 5.</i>	X		
Examine the cutting attachment guard for damages and cracks.	X		
Make sure that the grass blade is aligned with the center. Make sure that the grass blade is sharp and that the blade or center hole is not damaged.	X		
Examine the trimmer head for damages and cracks. Replace if it is damaged.	X		
Examine the handle and handlebar for damage and make sure that they are attached correctly.	X		
For cutting attachments with a support cup, tighten the locking screw correctly.	X		
For cutting attachments with a locknut, tighten the locknut correctly.	X		
Examine the transport guard for damage and make sure that it can be attached correctly.	X		
Examine the engine, the fuel tank and the fuel lines for leaks.	X		
Clean the air filter. Replace if it is necessary.	X		
Tighten nuts and screws.	X		
Examine the fuel filter for contamination and the fuel hose for cracks and other defects. Replace if it is necessary.	X		
Examine all cables and connections.	X		
Examine the starter and the starter rope for damages.		X	
Examine the spark plug. Refer to <i>To examine the spark plug on page 20.</i>		X	
Make sure that the bevel gear is filled to $\frac{3}{4}$ with grease.		X	
Clean the external surface of the carburetor and the area around it.		X	

Maintenance	Daily	Weekly	Monthly
Clean the spark plug. Remove the spark plug and do a check of the electrode gap. Adjust the electrode gap or replace the spark plug if it is necessary. Refer to <i>Technical data on page 22</i> . Make sure that the spark plug is assembled with a suppressor.		X	
Examine the clutch, clutch springs and the clutch drum for wear. Replace if it is necessary.			X
Replace the spark plug. Make sure that the spark plug is assembled with a suppressor.			X
Lubricate the drive shaft.			X
Make sure that the vibration damping units are not damaged.		X	
Clean the cooling system of the product.		X	
Clean the muffler.			X

To adjust the carburetor

The basic carburetor settings are adjusted during testing at the factory. Adjustment must be carried out by a trained technician.

To do a check of the muffler



WARNING: Do not use a product that has a defective muffler. Always replace a defective muffler.



WARNING: Risk of burn or fire. Mufflers with catalytic converters get very hot during operation.



WARNING: Risk of fire. The muffler decreases the noise level and identifies the exhaust gases from the operator. The exhaust gases are hot and can contain sparks.



CAUTION: The spark arrester screen must be replaced if it is damaged. Do not use a product if the spark arrester screen on the muffler is missing or defective.



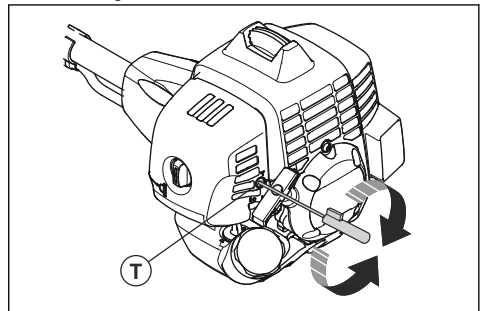
CAUTION: If the spark arrester screen is blocked, the product will be too hot. This will cause damage to the cylinder and piston.

1. Make sure that the muffler is not damaged.
2. Make sure that the muffler is correctly attached to the product.

To adjust the idle speed

Your Husqvarna product is made to specifications that decrease harmful emissions.

1. Make sure that the air filter is clean and the air filter cover is attached before you adjust the idle speed.
2. Adjust the idle speed with the idle speed screw T which is identified with "T" mark.
 - a) Turn the idle speed screw T clockwise until the cutting attachment starts to rotate.



- b) Turn the idle speed screw T counterclockwise until the cutting attachment stops.



WARNING: If the cutting attachment does not stop when you adjust the idle speed, speak to your servicing dealer. Do not use the product until it is correctly adjusted or repaired.

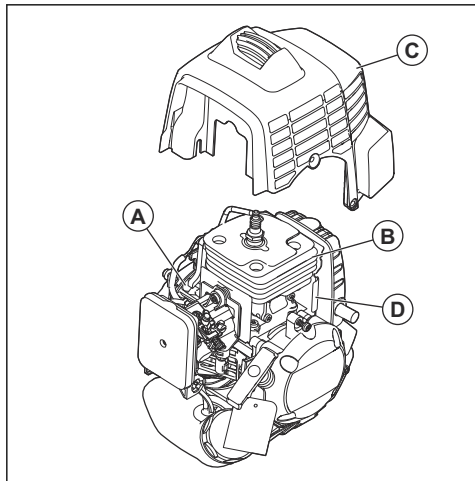
3. The idle speed is correct when the engine operates smoothly in all positions. The idle speed must be below the speed when the cutting attachment starts to rotate.

Note: Refer to *Technical data on page 22* for the recommended idle speed.

Cooling system

The cooling system keeps the engine temperature down. The cooling system includes the cooling fins on

the flywheel (A), the cooling fins on the cylinder (B), the cylinder cover (C) and the muffler plate (D).



To clean the cooling system



WARNING: A dirty or blocked cooling system causes overheating. It causes damage to the piston and cylinder.

1. Clean the parts of the cooling system with a brush a minimum of one time a week.

To clean the air filter

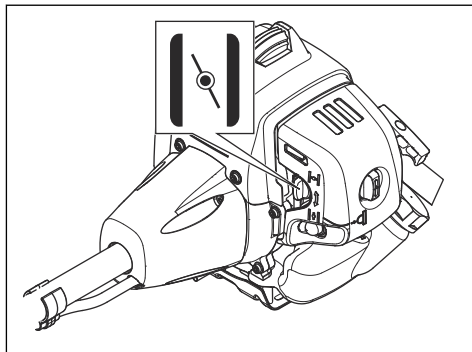
Clean the filter at intervals of 25 hours. Clean more regularly if it is necessary.



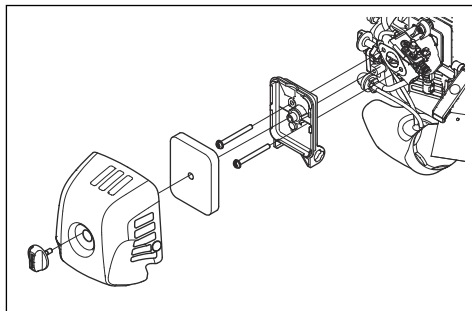
CAUTION: Always replace an air filter that is damaged, very dirty or soaked with fuel.

If you use an air filter for a long time, it cannot be fully cleaned. Replace the air filter with a new one at regular intervals.

1. Close the choke valve.



2. Remove the air filter cover.



3. Remove the air filter.
4. Clean the air filter with warm soap water.
5. Replace the air filter if it is too dirty to fully clean it. Always replace a damaged air filter.
6. Clean the inner surface of the air filter cover. Use air or a brush.
7. Make sure that the air filter is dry.
8. Use Husqvarna two-stroke oil to put oil on the air filter. If there is too much oil on the air filter, remove the unwanted oil before you install the air filter.

To apply oil to the foam air filter



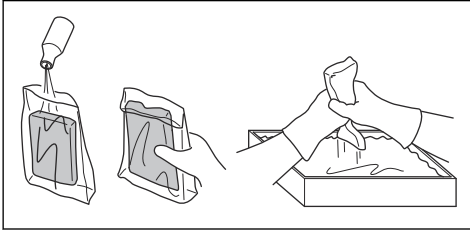
CAUTION: Always use Husqvarna special air filter oil. Do not use other types of oil.



WARNING: Put on protective gloves. The air filter oil can cause skin irritation.

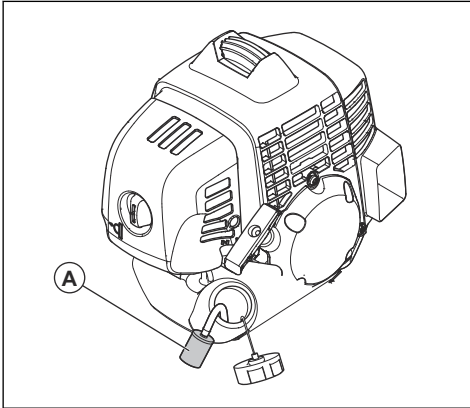
1. Put the foam air filter in a plastic bag.
2. Put the oil in the plastic bag.
3. Rub the plastic bag to supply the oil equally across the foam air filter.

- Push the unwanted oil out of the foam air filter while in the plastic bag.



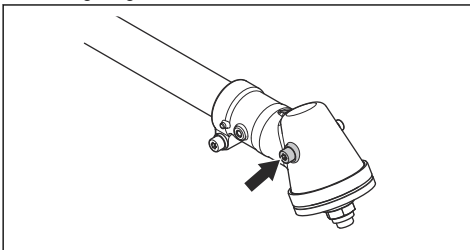
Fuel filter

When the engine runs short of fuel supply, make sure that the fuel tank cap and the fuel filter (A) are not blocked.



To add grease to the bevel gear

- Make sure that the bevel gear is filled $\frac{3}{4}$ full with bevel gear grease.

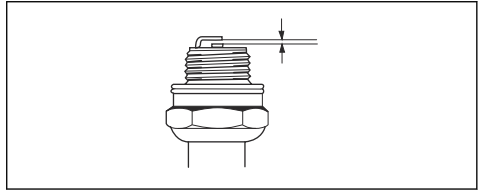


To examine the spark plug



CAUTION: Always use the recommended spark plug type. Incorrect spark plug type can cause damage to the product.

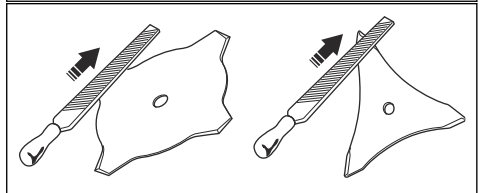
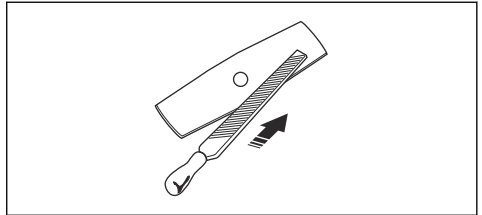
- Examine the spark plug if the engine is low on power, is not easy to start or does not operate correctly at idle speed.
- To decrease the risk of unwanted material on the spark plug electrodes, obey these instructions:
 - Make sure that the idle speed is correctly adjusted.
 - Make sure that the fuel mixture is correct.
 - Make sure that the air filter is clean.
- If the spark plug is dirty, clean it and make sure that the electrode gap is correct, refer to *Technical data on page 22*.



- Replace the spark plug if it is necessary.

To sharpen grass cutters and grass blades

- Sharpen all edges of the grass cutters and blades equally to keep the balance. Use a single-cut flat file.



Troubleshooting

Starting failure		
Check	Possible cause	Solution
Stop button	Stop position	Set the stop switch to the start position.
Starter pawls	Binding pawls	Adjust or replace the pawls.
		Clean around the pawls.
		Speak to an approved servicing dealer.
Fuel tank	Incorrect fuel type.	Drain it and use correct fuel.
Carburettor	Adjustment of the idle speed.	Adjust the idle speed with the T-screw.
Spark (no spark)	Spark plug dirty or wet.	Make sure that the spark plug is dry and clean.
	Spark plug clearance incorrect.	Clean the spark plug. Check that the electrode gap is correct. Make sure that the spark plug is installed with a suppressor.
Spark plug	Spark plug loose.	Tighten the spark plug.

Engine starts but does not stay running		
Check	Possible cause	Solution
Fuel tank	Incorrect fuel type.	Drain it and use correct fuel.
Carburettor	Engine will not idle correctly.	Speak to your servicing dealer.
Air filter	Clogged air filter.	Clean the air filter.

Transportation and storage

- Keep equipment safe during transportation to prevent damage and accidents.
- Keep the product and equipment in a dry and frost-proof area.
- Clean the product.
- Replace or repair damaged components.
- Use the correct protective cover on the product that does not keep moisture.
- Keep the product tightly attached during transport.

Technical data

Technical data

	543RS
Engine	
Cylinder displacement, cm ³	40.1
Cylinder bore, mm	40.5
Cylinder stroke length, mm	31.1
Idle speed, rpm	3000±200
Recommended max. speed, rpm	12000
Speed of output shaft, rpm	8570
Max. engine output, according to ISO kW/hp @ rpm	2.01/1.5 @ 9000
Ignition system	
Spark plug	NGK CMR7H-10
Electrode gap, mm	0.9-1.0
Fuel and lubrication system	
Fuel tank capacity, l/cm ³	0.75/750
Weight	
weight, kg	7.2
Noise levels	
Equivalent sound pressure level at the operator's ear, measured according to EN ISO 11806 and ISO 22868 ¹ , dB(A)	95
Vibration levels	
Equivalent vibration levels ($a_{hv,eq}$) at handles, measured according to EN ISO 11806 and ISO 22867 ²	
Equipped with trimmer head (original), left/right, m/s ²	6.3/4.9

¹ Reported data for equivalent sound pressure level has a typical statistical dispersion (standard deviation) of 1 dB (A).

² Reported data for equivalent vibration level has a typical statistical dispersion (standard deviation) of 1 m/s².

Accessories

Accessories

Approved accessories	Accessory type	Cutting attachment guard, art. no.
Grass blade/grass cutter	Grass 255-4 1" (Ø 255, 4 teeth)	584 40 43-01
	Multi 255-3 (Ø 255, 3 teeth)	584 40 43-01
	Grass 275-4 (Ø 275, 4 teeth)	584 40 43-01
Plastic blades	Tricut Ø 300 mm (Separate blades have part number 531 01 77-15)	584 40 43-01
Trimmer head	Superauto II	584 40 43-01
	T35, T35X (Ø 2.4-3.0 mm cord)	584 40 43-01
	T45x (Ø 2.7-3.3 mm cord)	584 40 43-01
	F35 (Ø 2.0-3.5 mm cord)	584 40 43-01
	PT104	584 40 43-01
Support cup	Fixed	-

内容

简介.....	24	故障排除.....	41
安全性.....	25	运输及存放.....	42
安装.....	30	技术参数.....	42
操作.....	33	附件.....	43
维护.....	37		

简介

产品说明

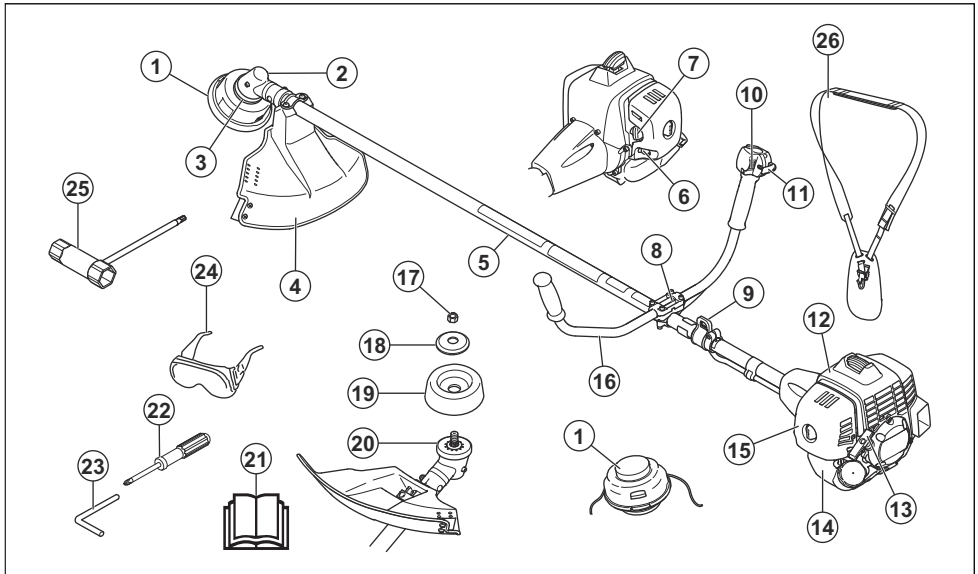
本产品是配备内燃机的割灌机。

我们致力于提高您的工作安全性与效率。欲了解更多信息，请与您的保养代理商联系。

预期用途

本产品可与打草刀片或打草头配合使用，用于修剪多种植被。本产品仅可用于草坪修剪和草坪清理，切勿用于其他任务。使用打草刀片或打草头修剪草坪。

产品概览



- | | |
|---------------|-----------|
| 1. 打草头 | 7. 风门 |
| 2. 斜齿轮润滑脂加注口盖 | 8. 手柄杆夹持器 |
| 3. 斜齿轮 | 9. 吊环 |
| 4. 切割刀片防护罩 | 10. 停止开关 |
| 5. 驱动轴 | 11. 油门扳机 |
| 6. 注油泵球囊 | 12. 汽缸罩 |

13. 启动绳把手
14. 燃油箱
15. 空气滤清器外壳
16. 手柄杆
17. 锁紧螺母
18. 支撑凸缘
19. 支撑杆
20. 驱动盘
21. 操作手册
22. 螺丝刀
23. 锁紧销
24. 经检验合格的眼部保护设备
25. 套筒扳手
26. 背带

本产品上的符号



警告！ 本产品非常危险。如果粗心大意或不正确地使用本产品，可能会导致操作人员或旁观者受伤甚至死亡。为防止伤害操作人员或旁观者，请仔细阅读并遵守说明书中的所有安全须知。



请认真阅读本说明书，确保在充分理解各项说明之后再使用本产品。



在可能被落物砸中的地方请使用保护头盔。请使用获得批准的听觉和眼睛保护装备。



请使用获得批准的保护手套。



请穿上结实、防滑的安全鞋。



本产品可能致使物体弹射，这有可能会造成伤害。

输出轴的极限速度。



本产品运行期间，应与人员和动物保持至少 15 m/50 ft 的距离。



如果切割设备接触到其未立即切断的物体，那么存在甩刀的风险。产品可能会切断身体部位。本产品运行期间，要与人员和动物保持至少 15 m/50 ft 的距离。



箭头显示手柄杆位置的极限位置。



注油泵球囊。



阻气门。

yyyywwxxxx 标牌上显示序列号。**yyyy** 是生产年份，**ww** 是生产周。

注意： 产品上的其他符号/标识涉及其他商用领域的认证要求。

产品责任

如产品责任法律中所引用的，在以下情况下，我们对我们的产品所导致的损坏不承担责任：

- 未正确修理产品。
- 使用并非来自制造商或者未获得制造商批准的零部件修理产品。
- 产品具有并非来自制造商或者未获得制造商批准的附件。
- 未在获得批准的服务中心修理产品，或者并非由获得批准的机构修理产品。

安全性

安全定义

下面的定义为每个信号词提供了严重性级别。



警告： 人员伤害。



小心： 产品损坏。

注意： 此信息旨在使产品更易于使用。

一般安全须知



警告： 请在使用本产品前阅读下面的警告说明。

- 请正确使用产品。不正确使用可能导致伤害或死亡。仅将产品用于本说明书规定的任务。切勿将产品用于其他任务。
- 请遵守本手册中的说明。请遵守安全符号和安全须知。如果操作员不遵守安全须知和安全符号，可能导致伤害、损坏或死亡。
- 切勿丢弃本说明书。请遵循本说明书来安装、操作和妥善保管产品。请遵循本说明书正确安装附件和配件。仅使用获得批准的附件和配件。
- 切勿使用损坏的产品。请遵守维护时间表。仅执行本说明书规定的维护作业。获得批准的服务中心必须执行所有其他维护作业。
- 本说明书无法涵盖使用产品期间可能出现的所有情形。请多加小心，并运用常识来判断。如果对相关状况不太确定，切勿操作产品或对产品进行维护。有关信息，请咨询产品专家、经销商、保养厂或获得批准的服务中心。
- 安装产品、存放产品或者维护产品之前，先断开火花塞线缆。
- 如果产品改装偏离了原始规格，那么切勿使用它。未获得制造商的批准，切勿改装产品的某一部分。仅使用获得制造商批准的零件。不正确维护可能导致伤害或死亡。
- 切勿吸入引擎的废烟。长期吸入引擎废气可能会危害健康。
- 切勿在室内或易燃材料附近启动本产品。废烟很热，并且可能带有火花，可能会引发火灾。通风不充分情况下，可能由于窒息性气体或一氧化碳的原因而导致伤害或死亡。
- 使用本产品时，引擎会产生电磁场。电磁场可能导致医用植入设备损坏。操作产品之前，请先咨询医生和医用植入设备制造商。
- 切勿让儿童操作产品。切勿让不熟悉使用说明书的人员操作产品。
- 若使用产品的人员身体能力或心智能力降低，确保对其进行监督。成人监督人必须始终在场。
- 请将产品锁在儿童以及未获得批准的人员无法够到的地方。
- 产品可能迸出物体，从而导致伤害。请遵守安全须知以降低伤害或死亡风险。
- 切勿在引擎运转期间离开产品使其处于无人看管的状态。
- 产品操作员有责任确保不发生事故。
- 确保使用产品之前零件未损坏。
- 确保在远离其他人员或动物至少 15 m (50 ft) 的距离外使用本产品。确保位于邻近区域的人员知道您将使用本产品。
- 请参阅相关国家或地方法律。这些法律可能会禁止或限制产品在某些情况下使用。
- 如果您感到疲劳，或者受到酒精、麻药或药物的影响时，切勿使用本产品。这些东西会影响您的视觉、警惕性、协调能力或判断力。

装配安全须知



警告： 请在使用本产品前阅读下面的警告说明。

- 安装产品之前，先拆下火花塞帽。
- 在操作本产品之前，请确保已装配正确的手柄杆和切割刀片防护罩。
- 有故障或不正确的切割刀片防护罩可能会导致伤害。切勿在未安装经过批准的切割刀片防护罩的情况下使用切割刀片。
- 在启动本产品之前，请正确安装离合器罩和驱动轴。
- 驱动盘和支撑凸缘必须正确接合在切割刀片的中心孔中。切割刀片固定不当可致人受伤或死亡。
- 将背带连接到本产品上，以防止对操作员或他人造成伤害。

操作安全须知

- 确保产品在使用之前已完全安装好。
- 启动之前，请将产品从加油位置移开至少 3 m (10 ft)。将产品置于平坦表面上。确保切割刀片没有接触地面或其他物体。
- 产品可能导致物体迸出，从而可能导致损坏眼睛。操作产品时，务必使用获得批准的眼部保护装备。
- 请小心谨慎，操作期间，儿童可能会在您不知情的情况下来到产品附近。
- 如果工作区域有人员逗留，切勿操作产品。如果有人进入工作区域，请关闭产品。
- 确保您始终能够掌控产品。
- 如果发生事故后无法获得帮助，切勿使用产品。在开始操作本产品之前，一定要确保其他人知道您即将操作产品。
- 在确保安全区域内无人员或动物逗留之前，切勿拿着产品转身。
- 启动之前，先清除工作区域中任意多余的材料。如果切割刀片击中物体，物体可能会弹出，进而造成伤害或损坏。多余的材料可能会缠住切割刀片，进而造成损坏。
- 切勿在不良的天气状况下使用产品（浓雾、大雨、强风、雷电或其他天气状况等）。不良的天气状况可能导致出现危险状况（例如，湿滑的地面）。
- 确保您能够移动自如，并且能够以稳定的姿势作业。



- 确保使用产品时不会跌倒。切勿倾斜操作产品。
- 始终用双手握住产品。将产品保持在身体右侧。



- 操作产品时，确保切割刀片的位置保持在您的腰部以下。
- 如果引擎启动时风门处于阻风位置，那么切割刀片会开始转动。
- 引擎停止后勿触摸斜齿轮。引擎停止后斜齿轮温度较高。高温表面可能会造成烫伤。
- 移动产品之前，请先关闭引擎。
- 引擎运转期间，切勿放下产品使其无人看管。
- 从产品中移除多余的材料之前，先停止引擎，然后等待片刻，直到切割刀片停止转动。在您或助手移除切割材料之前，务必先让切割刀片停止转动。

个人防护装备



警告： 请在使用本产品前阅读下面的警告说明。

- 操作产品时务必使用正确的个人防护装备。个人防护装备不会消除伤害风险。如果出现事故，个人防护装备可降低伤害程度。
- 操作产品时，务必使用获得批准的眼部保护装备。
- 切勿赤脚或穿凉鞋操作产品。务必穿上结实、防滑的安全鞋。
- 请穿上厚实的长裤。
- 如有必要，请使用获得批准的保护手套。
- 如有可能被落物砸中，请戴好安全头盔。
- 操作产品时，务必使用获得批准的听觉保护装备。长期接触噪音可能导致噪音引发的听力受损。
- 确保急救包就在附近。

产品上的防护装备

- 确保定期维护产品。
 - 延长产品的使用寿命。
 - 降低发生事故的风险。

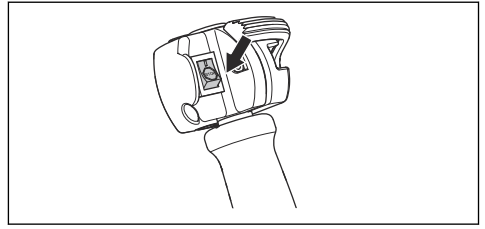
定期让获得批准的代理商或获得批准的服务中心检查产品，以进行调节或修理。

- 切勿在防护装备损坏的情况下使用产品。如果产品损坏，请咨询授权的服务中心。

检查停止开关

1. 启动引擎。

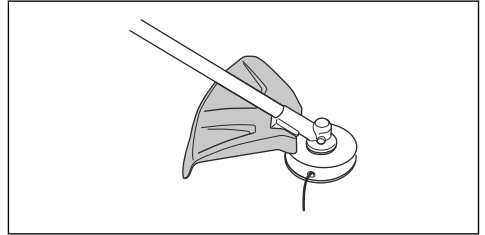
2. 将停止开关移至停止位置，确保引擎停止。



检查切割刀片防护罩

切割刀片防护罩可防止物体弹向操作员。它还可防止因触碰切割刀片而致人受伤。

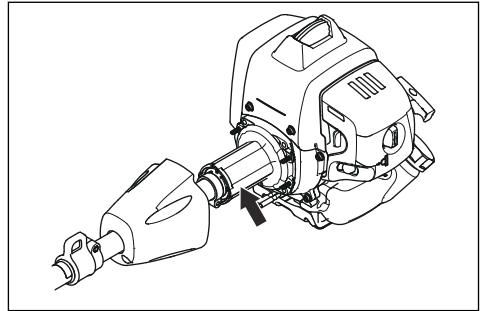
1. 停止引擎。
2. 目视检查是否存在损坏，如裂纹。



3. 更换损坏的切割刀片防护罩。

检查防振系统

防振系统用于最大程度减少手柄上的振动，使操作更简单。



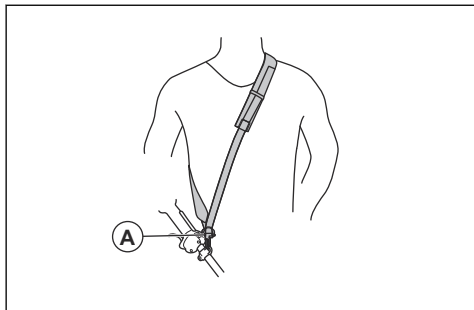
1. 停止引擎。
2. 目视检查是否存在变形和损坏，如裂纹。
3. 请确保防振系统的元件已正确固定。

背带快速脱扣装置

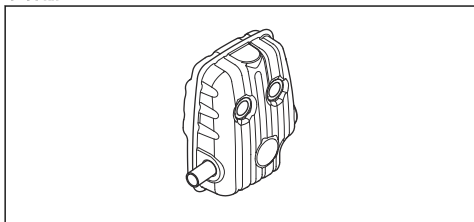


警告： 如果背带快速脱扣装置 (A) 有故障，请勿使用背带。确保在您调节产品和背带之后能够正常使用背带快速脱扣装置。

背带快速脱扣装置 (A) 位于产品前部。背带扣一定要保持在正确的位置。在紧急情况下，背带快速脱扣装置可帮助您安全脱离产品。



消音器



消音器用于最大程度降低噪音并将引擎的废气导离操作人员。

- 切勿使用消音器已损坏的引擎。损坏的消音器会增加噪音水平以及引起火灾的风险。请在附近备有灭火器。
- 定期检查消音器是否牢固安装在产品上。
- 请勿在引擎运行期间触摸引擎或消音器。如果引擎刚停下不久，请不要触摸引擎或消音器。高温表面可能会造成烫伤。
- 温度较高的消音器可能会导致火灾。如果在易燃液体或油气附近使用产品，请务必小心谨慎。
- 如果消音器损坏，请勿触摸消音器中的零部件。这些零部件可能包含一些致癌的化学物质。

安装和拆卸锁紧螺母

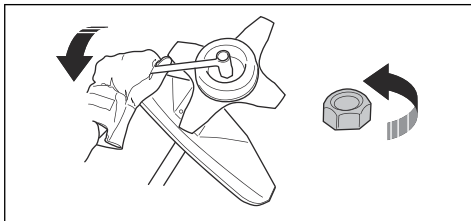


警告： 停止引擎，使用保护手套，并小心切割刀片的锋利刀刃。

锁紧螺母用于安装某些类型的切割刀片。锁紧螺母具有左旋螺纹。

- 安装时，按照与切割刀片转动方向相反的方向拧紧锁紧螺母。
- 要拆下锁紧螺母，请按照与切割刀片转动方向相同的方向松开锁紧螺母。

- 要松开和拧紧锁紧螺母，请使用带长轴的套筒扳手。图中箭头显示了可以操作套筒扳手的区域。



警告： 松开和拧紧锁紧螺母时，存在刀片造成伤害的风险。当您这样操作时务必确保刀片防护罩对手进行保护。

注意： 确保您无法用手转动锁紧螺母。如果尼龙衬套没有最小 1.5 Nm 的阻力，请更换螺母。锁紧螺母安装约 10 次后必须进行更换。

切割设备

选择正确的切割设备，并对切割设备进行维护：

- 获取最佳切割性能。
- 增加切割设备的使用寿命。



警告： 只能安装我们推荐的防护罩来使用切割刀片！请参阅附件在第43页上。请参照切割刀片的相关说明，找到打草绳的正确安装方法，以及获取正确的打草绳直径。



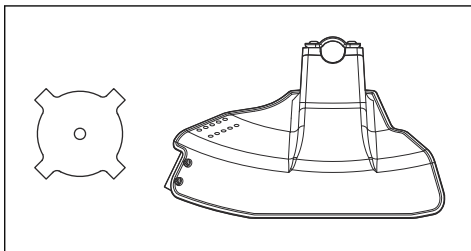
警告： 切割刀片发生故障，可能增加发生意外的风险。



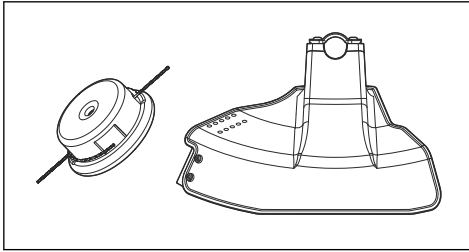
警告： 在切割刀片上开展任何工作之前，请先停止引擎。在您释放了油门后，切割刀片也会继续转动。开始对刀片进行操作之前，确保切割刀片完全停止，并拔掉火花塞帽。

切割设备

- 使用刀片切割杂草。



- 使用打草头修剪草坪。

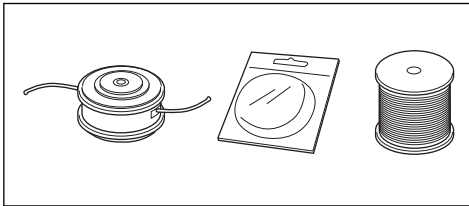


- 不正确修磨或损坏的刀片会增加发生意外的风险。确保正确修磨刀片齿。请按照相关说明进行操作并使用建议的铤规。
- 检查切割刀片是否损坏或有裂痕。更换损坏的切割刀片。
- 仅将切割刀片与建议的防护罩配套使用。请参阅附件在第 43 页上。

打草头



警告：务必将打草绳紧密、均匀地缠绕在卷筒上，否则机器会产生有害振动。



- 只能使用推荐的打草头和打草绳。
- 只能使用推荐的切割刀片。
- 较小的机器要求使用小打草头，反之亦然。
- 打草绳的长度非常重要。相同直径下，较长的打草绳比较短的打草绳需要更大的引擎功率。
- 请确保打草机防护罩上的切割齿完好无损。这可打草绳切割至正确的长度。
- 使用前先将打草绳在水中浸泡几天，以延长使用寿命。

割草刀片和割草刀

- 将本产品与获得批准的割草刀片配套使用。切勿在未正确安装所有必要零部件的情况下使用割草刀片。确保正确完成安装，并且使用了正确的零部件。不正确的安装可能会导致刀片甩出，进而可能对操作员或旁观者造成严重伤害。
- 操作或维护刀片时，请戴上保护手套。
- 将产品与割草刀片配套使用时，请戴好头部防护装置。
- 割草刀片和割草刀均用于切割杂草。
- 引擎停止或油门扳机松开后，割草刀片会继续旋转，这可能会造成伤害。在执行任意维护作业之前，请确保割草刀片已完全停止转动。

- 在切割刀片上开展任何工作之前，请先停止引擎。确保切割刀片已完全停止转动。断开火花塞的导线。
- 仅使用获得批准的切割刀片或经过正确修磨的刀片。
- 确保正确修磨刀片齿。
- 切勿使用损坏的切割刀片。
- 运输或存放产品时，请将运输防护罩安装到割草刀片上。

甩刀

- 甩刀是产品突然向侧面、前方或后方移动的现象。当打草刀片击中无法被切割的物体时，就会出现甩刀现象。在不容易看到被切割材料的区域，甩刀的风险会增加。
- 出现甩刀现象时，存在产品或操作员移位的风险。甩出的刀片可能会击中旁观者，这可能会造成伤害。
- 如果刀片弯曲、有裂纹、断裂或损坏，请丢弃刀片。
- 请使用锋利的刀片。当刀片不锋利时，甩刀的风险会增加。

燃油安全须知

- 如果产品上沾染燃油或引擎机油，切勿启动产品。去除多余的燃油/机油，使产品保持干燥。去除产品上多余的燃油。
- 如果燃油溅到衣物上，请立即更换衣物。
- 切勿使身体沾染上燃油，否则可能会导致伤害。如果身体沾染上燃油，应使用肥皂和水去除燃油。
- 如果产品或身体溅上机油或燃油，切勿启动引擎。
- 如果引擎发生泄漏，切勿启动产品。定期检查引擎是否有泄漏。
- 请小心处理燃油。燃油易燃，油烟具有爆炸性，并且可能导致伤害或死亡。
- 切勿吸入油烟，它可能导致伤害。确保充分通风。
- 切勿在燃油或引擎附近吸烟。
- 切勿在燃油或引擎附近放置高温物体。
- 切勿在引擎运转期间添加燃油。
- 确保重新加注燃油之前，引擎处于冷却状态。
- 重新加注燃油之前，缓缓打开燃油箱盖，并小心释放压力。
- 切勿在室内为引擎添加燃油。通风不充分情况下，可能由于窒息性气体或一氧化碳的原因而导致伤害或死亡。
- 小心拧紧燃油箱盖，否则可能会发生火灾。
- 启动之前，将产品从加油位置移开至少 3 m (10 ft)。
- 切勿往燃油箱中加入过多的燃油。
- 确保移动产品或油罐时不会发生泄漏。
- 切勿将产品或油罐置于明火、火花或常明火位置。确保存放区域不存在明火。
- 运输燃油或者存放燃油时，仅使用获得批准的油罐。
- 长期存放之前，请先排空燃油箱。请遵守当地法律关于何处处置燃油的规定。
- 长期存放之前，请先清洁产品。
- 存放产品之前请拆下火花塞线缆，以确保引擎不会意外启动。

维护安全须知

- 如果不能将怠速调整为使切割刀片停止，请联系服务中心。在未正确调整或修理产品前，请勿使用产品。

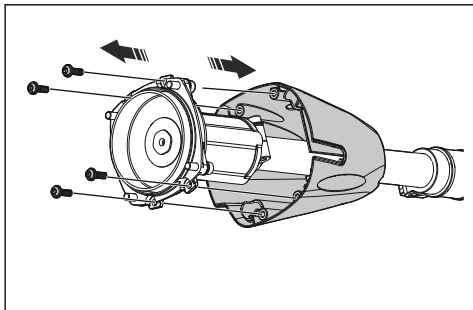
安装



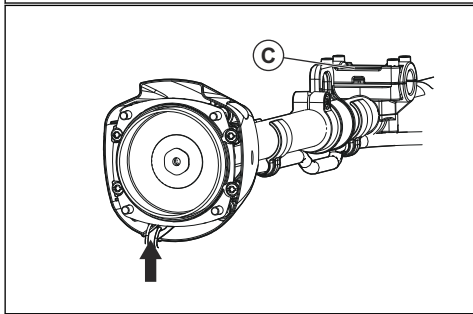
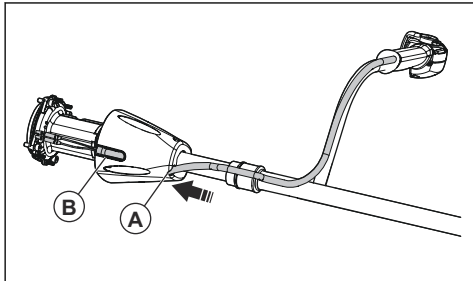
警告： 在安装产品之前，请先仔细阅读安全须知章节。

安装油门线和停止开关导线

1. 拆下4颗螺丝。



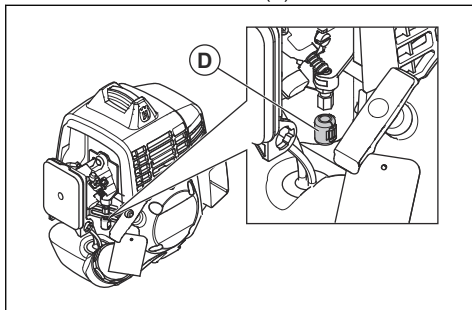
2. 将油门线穿孔 (A)，然后穿过塑料盖上的孔 (B)。



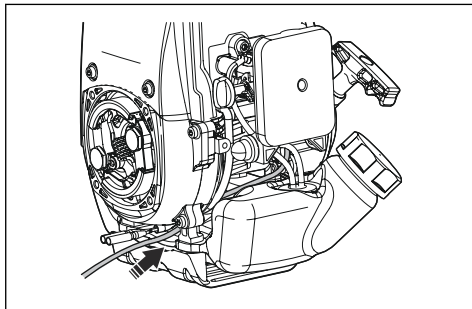
注意： 确保孔 (B) 位于手柄杆夹 (C) 的对侧。

3. 安装并拧紧螺丝。

4. 拆下空气滤清器外壳和卡箍 (D)。

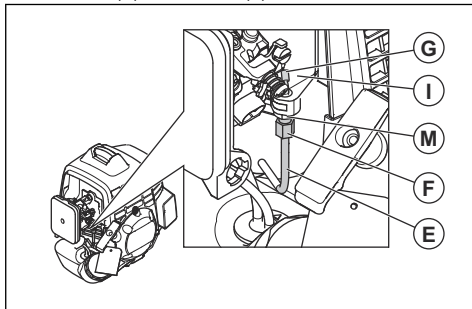


5. 通过油箱和曲轴箱之间的空间安装油门线。



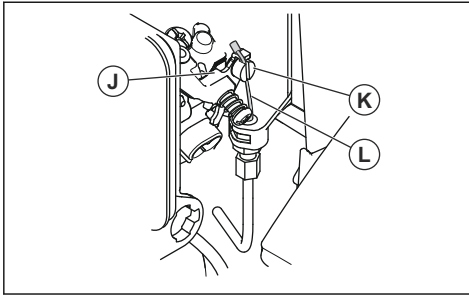
注意： 确保油门线穿入正确位置。

6. 将油门线 (E) 放入调整套 (F)。



注意： 确保油门线终端衔套 (G) 穿出隔热座 (I)。

7. 顺时针转动油门杆 (J), 调节旋转接头 (K)。



注意： 确保旋转接头 (K) 中凹槽的较大一侧位于顶部。

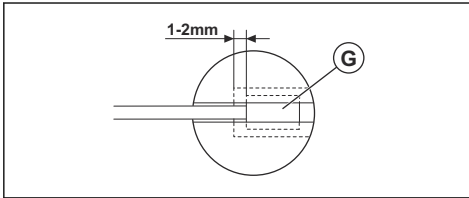
8. 将油门线 (L) 放入旋转接头 (K) 的凹槽中, 然后将油门杆 (J) 转动到后侧。

注意： 确保油门线终端衔套 (G) 落入凹槽中。

9. 操作油门扳机, 确保可正常使用油门扳机。

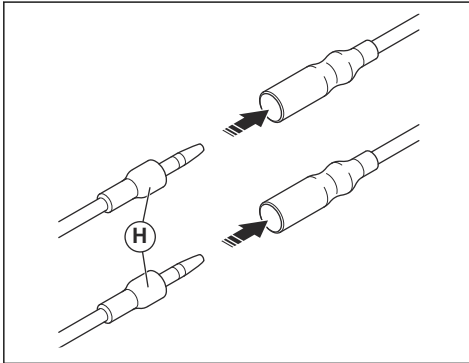
10. 调节油门线调整套 (F)。

- 确保油门杆 (J) 正确接触停止位置处的“T”螺丝。
- 确保完全松开油门扳机时油门线位置保持在油门线终端衔套 (F) 与旋转接头之间 1-2 mm 的范围内。



11. 正确调节油门线 (E) 后, 拧紧锁紧螺母 (M)。

12. 将停止开关导线 (H) 连接到引擎的相应连接器上。

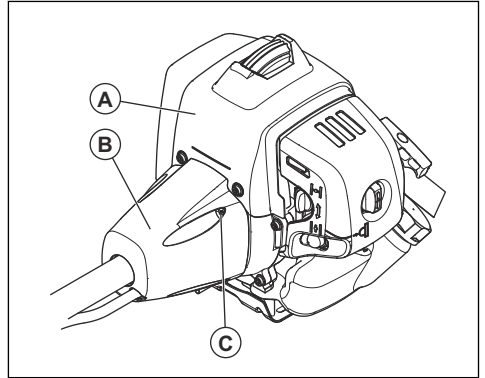


13. 安装空气滤清器外壳和卡箍 (D)。

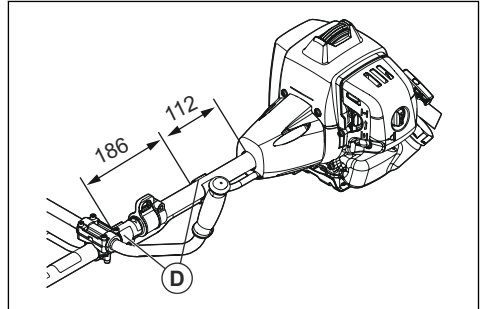
注意： 确保安装卡箍 (D)。

安装本产品机体

1. 用 4 个螺丝 (C) 将引擎装置 (A) 与管 (B) 连接起来。

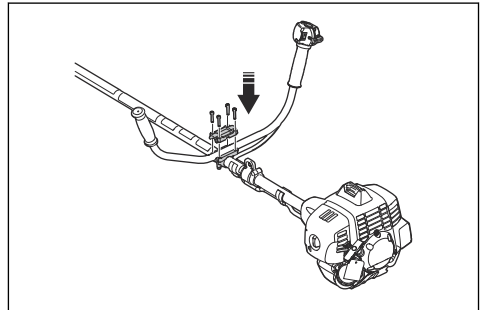


2. 安装卡箍 (D)。



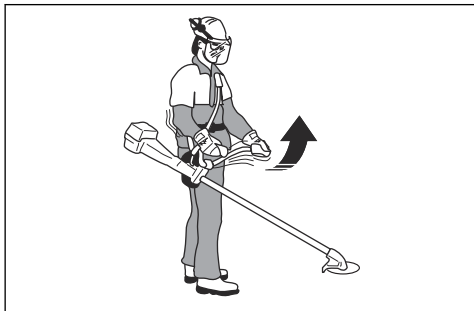
安装手柄杆和背带

1. 利用手柄杆夹持器将手柄杆安装在轴上。



2. 套上背带, 通过吊环挂起本产品。

3. 通过背带挂起时，进行最后的调整，以确保产品处于正确位置。



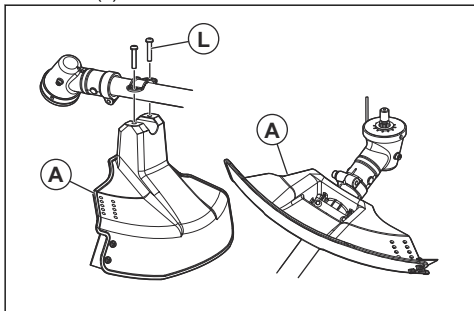
4. 拧紧螺丝。

安装刀片防护罩和割草刀片

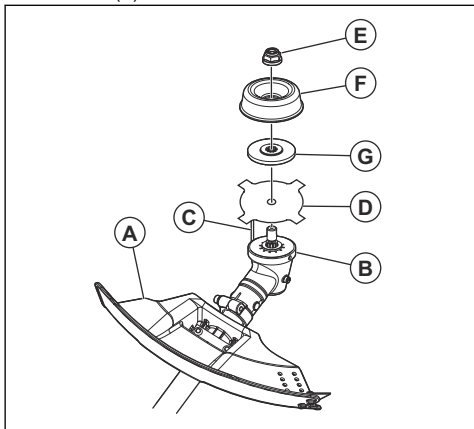


小心： 仅使用获得批准的防护罩。请参阅附件在第 43 页上。

1. 将刀片防护罩/切割刀片防护罩 (A) 安装到轴上，并且用螺丝 (L) 拧紧。



2. 将驱动盘 (B) 安装在输出轴上。



3. 转动输出轴，直至驱动盘上的其中 1 个孔与齿轮箱中的相关孔对准。
4. 将锁定销 (C) 插入孔中以将轴锁定。
5. 将刀片 (D)、支撑凸缘 (G) 和支撑杯 (F) 放到输出轴上。
6. 安装螺母 (E)。在靠近刀片防护罩的位置握住扳手的轴。要拧紧螺母，必须按与旋转方向相反的方向转动扳手。将螺母拧紧至扭矩为 35-50 Nm (3.5-5 kpm)。

注意： 这是左旋螺纹。

安装刀片和打草头



警告： 仅使用获得批准的刀片防护罩。请参阅附件在第 43 页上。有故障的防护罩可能会导致伤害。

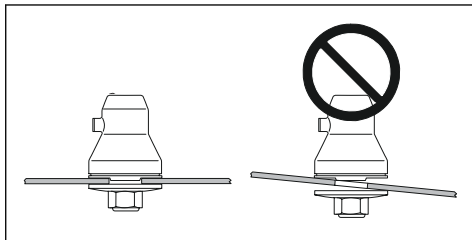


警告： 如果您操作配备打草刀片的产品，请先安装正确的手柄杆、打草刀片和背带。



警告： 如果刀片安装不正确，可能会导致伤害。

1. 确保驱动盘/支撑凸缘上的提起部分正确接合在刀片的中心孔中。
2. 安装刀片。

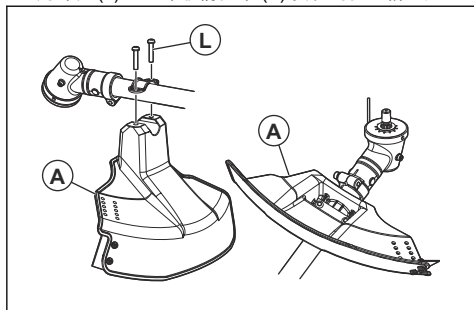


安装割草机防护罩和打草头

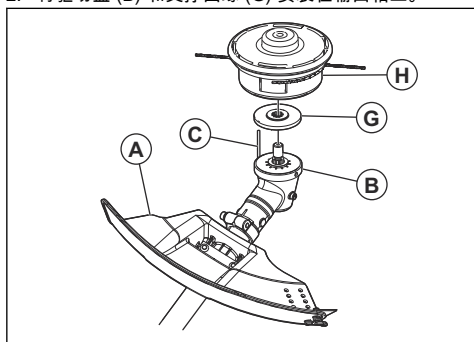


警告： 为正确的打草头使用正确的割草机防护罩。

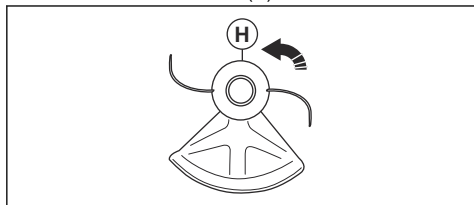
1. 用螺栓 (L) 将割草机防护罩 (A) 安装到驱动轴上。



2. 将驱动盘 (B) 和支撑凸缘 (G) 安装在输出轴上。



3. 转动输出轴，直至驱动盘的一个孔与齿轮箱中的孔对准。
4. 将锁定销 (C) 插入孔中以将轴锁定。
5. 安装时逆时针转动打草头 (H)。



6. 要进行拆卸，请按照相反的顺序进行操作。

调节背带

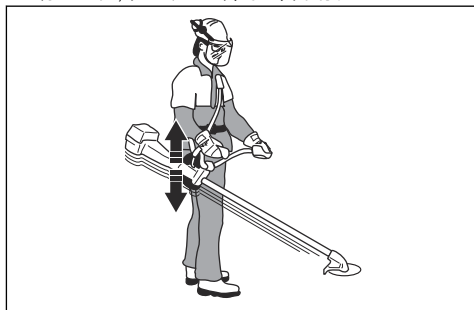


警告： 产品务必牢固地钩到背带上。如果不这么做，则无法安全地控制产品，从而可能对您自己或他人造成伤害。不要使用损坏的背带。切勿使用快速脱扣装置损坏的背带。

1. 穿上背带。
2. 将本产品与背带相连。
3. 通过调整背带可以获得最佳的工作姿势。
4. 调节边带，使本产品重量均匀分布在双肩。



5. 调整背带，直至切割刀片与地面平行。



6. 将切割刀片轻放在地面上。调整背带夹，以正确平衡产品。

注意： 如果您使用割草刀片，则必须平衡在高于地面大约 10 cm/4 in 的位置。

操作



警告： 请先仔细阅读和充分理解安全须知章节，再操作产品。

燃油

使用燃油



小心： 本产品配备一个二冲程引擎。使用汽油和二冲程引擎机油组成的混合燃油。确保在混合燃油中使用正确数量的机油。不正确的汽油和机油比例可能导致引擎损坏。

汽油



小心：切勿使用辛烷值低于 90 RON (87 AKI) 的汽油。这可能导致损坏产品。



小心：切勿使用乙醇浓度超过 10% (E10) 的汽油。这可能导致损坏产品。



小心：切勿使用含铅汽油。这可能导致损坏产品。

- 务必使用辛烷标号最低为 90 RON (87 AKI) 且乙醇浓度低于 10% (E10) 的新型无铅汽油。
- 如果频繁地持续高速使用产品，请使用辛烷值更高的汽油。
- 务必使用优质的无铅汽油/机油混合物。

二冲程引擎机油

- 请仅使用优质二冲程引擎机油，推荐使用 HUSQVARNA 提供的二冲程机油。请仅使用风冷式引擎机油。
- 混合比 50:1 (2%)。
- 劣质机油以及较高的机油/燃油比可能缩短催化转换器的使用寿命。
- 选择机油时，请咨询您的代理商。
- 如果无法获得 Husqvarna 提供的二冲程机油，可以选择其它风冷式引擎专用的优质二冲程机油。选择机油时，请咨询您的代理商。
- 切勿使用水冷式舷外引擎专用的二冲程机油。这种二冲程机油有时也称为舷外机油。

汽油，升	机油，升
	2% (50:1)
5	0.1
10	0.2
15	0.3
20	0.4

配制混合燃油

注意：混合燃油时，务必使用清洁的油罐。

注意：切勿配制超过 30 天用量的混合燃油。

1. 加入一半汽油。
2. 加入全部机油。
3. 摇晃混合燃油，以混合均匀。
4. 加入剩余的汽油。
5. 摇晃混合燃油，以混合均匀。

6. 加注燃油箱。

添加燃油



警告：切勿吸烟，也不要将高温物体放在燃油旁边。添加燃油之前，请先停止引擎，并让其冷却一会儿。



警告：添加燃油时，缓慢打开燃油箱盖，以释放多余的压力。



警告：添加燃油后，可靠地拧紧燃油箱盖。启动引擎之前，先将机器移离加油区和电源。

- 必须使用带防溢漏阀的油罐。
- 确保燃油箱盖附近位置保持清洁。油箱内的污物会导致运行故障。
- 将混合燃油添加到燃油箱中之前，先摇晃油罐。

启动和停止

启动之前先进行检查

1. 检查产品是否有丢失、损坏、松动或磨损的零件。
2. 检查螺母、螺丝和螺栓。
3. 检查刀片。
4. 检查锁紧螺母。确保锁紧螺母最小锁紧力为 1.5 Nm (1,1 ft lb)。将锁紧螺母拧紧至 35-50 Nm (26-36 ft lb)。
5. 检查空气滤清器。
6. 检查油门和油门控制。
7. 检查停止开关。
8. 检查产品是否有燃油泄漏。
9. 检查油门扳机。确保油门扳机位于怠速位置。

启动冷引擎



警告：启动产品之前，先安装离合器罩和轴总成。松动的离合器可能会造成伤害。使用防护手套。



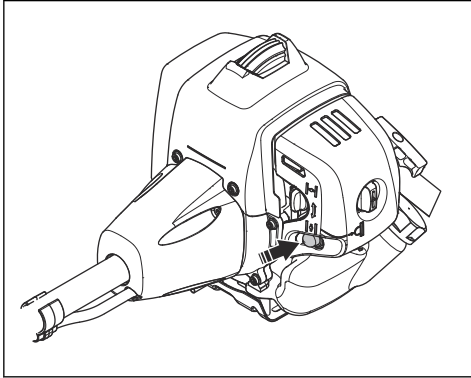
警告：将本产品从加油的位置移开。将产品置于平坦表面上。确保无物体触碰切割刀片。



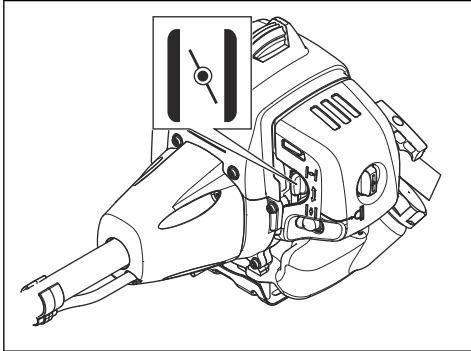
警告：确保工作区域内没有未经批准的人员。有可能造成严重伤害。安全距离为 15 m/50 ft。

1. 将停止开关设置到开始位置。

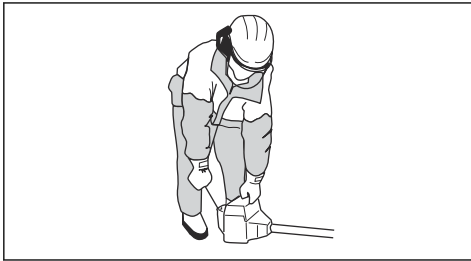
2. 按压注油泵球囊，直至燃油开始注入球囊中。不必注满注油泵球囊。



3. 将风门设在阻风位置。



4. 用左手将产品按在地上。



小心：切勿用脚踩住本产品。

5. 缓缓拉动启动绳把手，直至感觉到一些阻力。感觉到阻力时，快速并用力拉动启动绳把手。



警告：切勿将启动绳绕在手上。

6. 继续拉动启动绳把手，直到引擎启动。



小心：切勿完全拉出启动绳，切勿放开启动绳把手。缓缓释放启动绳。如果不遵守这些说明，引擎可能会损坏。

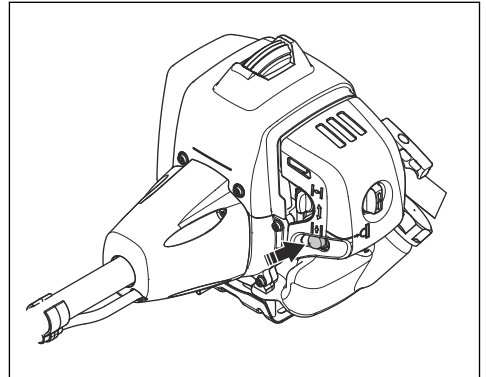
7. 将风门设置在工作位置。
8. 怠速预热 60 秒。



警告：切勿触摸护罩。否则可能会灼伤皮肤，并且如果火花塞帽损坏，可能会导致触电。切勿使用火花塞帽损坏的产品。

启动热引擎

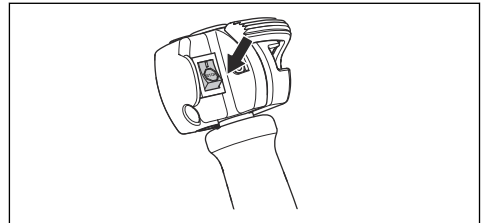
1. 将停止开关设置到开始位置。
2. 按压注油泵球囊，直至燃油开始注入球囊中。不必注满注油泵球囊。



3. 将风门设置在工作位置。
4. 拉动启动绳把手，直至引擎启动。

停止引擎

1. 将油门扳机推至怠速位置。
2. 将停止开关移至停止位置。



操作割草机



小心：确保每次操作后将引擎缓慢降低至怠速。引擎长时间全开油门空载运行可能会导致引擎损坏。

注意：安装新打草绳时请清洁打草头护罩，以防出现振动问题。检查打草头的其他零部件，必要时进行清洁。

一般工作须知

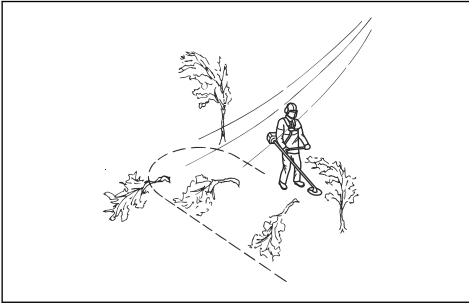


警告：切割处于张紧状态的树木时，务必小心谨慎。它在切断前后可能会弹回原来的位置，从而击中您或产品并造成伤害。

- 从作业区域的一端清理出一个开阔空间，从该处开始作业。
- 在作业区域中按常规模式移动。



- 向左向右移动产品，以便每次转身可清理 4-5 m (13-16 ft) 的宽度。
- 建议在清理 75 m (250 ft) 的长度之后转身返回。在持续操作过程中随身移动油箱。
- 按照无需过多地跨越沟渠或障碍物的方向移动。
- 按照风可将切割下的植物吹入已清理区域的方向移动。

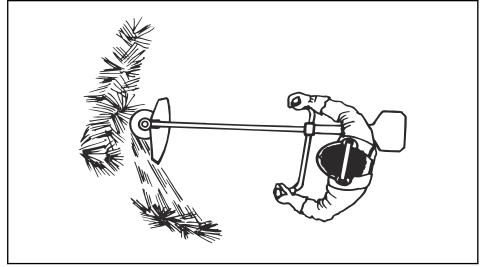


- 在斜坡上横向移动，切勿上下移动。

用打草刀片清理草坪

1. 操作本产品时请双脚分开站立。确保双脚在地面上站稳。
2. 将支撑杯稍稍放在地面上。这可防止刀片接触地面。

3. 从右向左侧向移动以完成清理行程。使用刀片的左侧（8点钟到12点钟位置之间）进行切割。

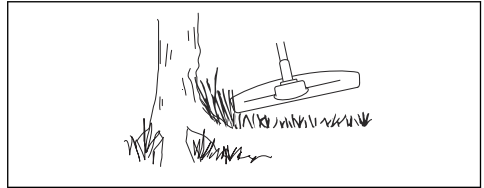


4. 清理草时，请将刀片向左倾斜。

注意：草将轻松聚拢成一行。

5. 从左向右侧向移动以完成返回行程。
6. 请有节奏地进行作业。
7. 向前移动，保持双脚在地面上站稳。
8. 停止引擎。
9. 从背带扣中拆下产品。
10. 将产品置于地面上。
11. 收集割下的材料。

清理

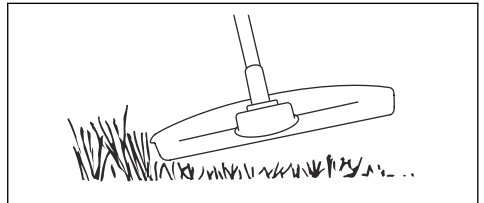


为获得最佳效果：

- 稳定控制打草头，使打草头刚好在地面以上。
- 将打草头稍稍倾斜一定的角度。
- 让打草绳末端撞击物体周围的地面。

修剪草坪

1. 稳定控制打草头，使其与地面呈一定角度且恰好离地。切勿将打草绳推入草坪中。



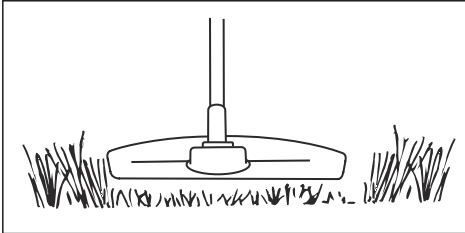
2. 按 10-12 cm / 4-4.75 in 减少打草绳的长度。
3. 降低引擎速度，以降低伤及植物的风险。

4. 切割物体附近的草坪时，请用 80 % 的油门。



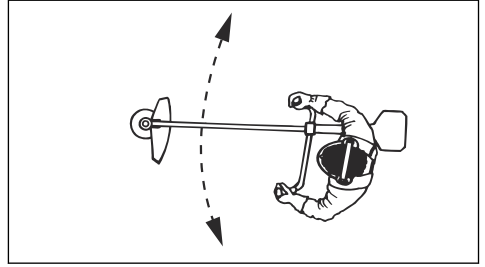
割草

1. 确保割草时打草绳与地面保持平行。



2. 切勿将打草头推向地面。否则可能会损坏地面和产品。
3. 切勿让打草头持续触碰地面，否则可能会损坏打草头。

4. 将产品从一侧移动到另一侧割草时，请全开油门。



吹扫草屑

转动的打草绳所产生的空气流可用于清理从某一区域切割下的草屑。

1. 使打草头及打草绳与地面保持平行并且高于地面。
2. 全开油门。
3. 将打草头从一侧移动到另一侧并吹扫草屑。



警告：每次安装新的打草绳时请清洁打草头护罩，以防止把手出现不平衡和产生振动的问题。此外，请检查打草头的其他零部件，并根据需要进行清洁。

更换打草绳

请参阅 PT104 在第49页上

维护



警告：请仔细阅读和充分理解安全须知章节的内容，再对产品执行清洁、修理或维护作业。

维护时间表

维护	每天	每周	每月
清洁外部表面。	X		
检查背带是否损坏。	X		
检查油门和油门扳机。	X		
确保切割刀片在怠速时不转动。	X		
检查停止开关。请参阅检查停止开关在第 27 页上。	X		
检查切割刀片防护罩是否存在损坏和裂纹。	X		
确保割草刀片与中心对准。确保割草刀片锋利，且刀片和中心孔均未损坏。	X		
检查打草头是否存在损坏和裂纹。如有损坏，请予以更换。	X		
检查手柄和手柄杆是否损坏，确保已将其正确固定。	X		
对于带支撑杯的切割刀片，请正确拧紧锁定螺丝。	X		
对于带锁紧螺母的切割刀片，请正确拧紧锁紧螺母。	X		

维护	每天	每周	每月
检查运输防护罩是否损坏，确保已将其正确固定。	X		
检查引擎、燃油箱和燃油管是否泄漏。	X		
清洁空气滤清器。必要时进行更换。	X		
拧紧螺母和螺丝。	X		
检查燃油滤清器上是否有污物，油管是否有裂痕和其它破损现象。必要时进行更换。	X		
检查所有线缆和接头。	X		
检查启动器和启动绳是否损坏。		X	
检查火花塞。请参阅检查火花塞在第 40 页上。		X	
确保向斜齿轮轮加注润滑脂至 ¾ 满。		X	
清洁化油器外表面及其周围区域。		X	
清洁火花塞。拆下火花塞，然后检查电极间隙。调整电极间隙，或在必要时更换火花塞。请参阅技术参数在第 42 页上。确保火花塞安装有抑制器。		X	
检查离合器、离合器弹簧及离合杯的磨损状况。必要时进行更换。			X
更换火花塞。确保火花塞安装有抑制器。			X
润滑驱动轴。			X
确保防振装置未损坏。		X	
清洁本产品的冷却系统。		X	
清洁消音器。			X

调整化油器

化油器的基本设置在进行工厂测试时经过调整。必须由经过培训的技师进行调整。

检查消音器



警告：切勿使用消音器出现故障的产品。一定要更换出现故障的消音器。



警告：灼伤或火灾风险。带催化转换器的消音器在运行期间温度会变得非常高。



警告：火灾危险。消音器可降低噪音，同时将引擎的废气导离操作者。废气温度较高，并且可能带有火花。



小心：如果火花挡网损坏，必须进行更换。如果消音器上的火花挡网缺失或者出现缺陷，则不得使用产品。



小心：如果火花挡网堵塞，产品将会过热。这会导致气缸和活塞损坏。

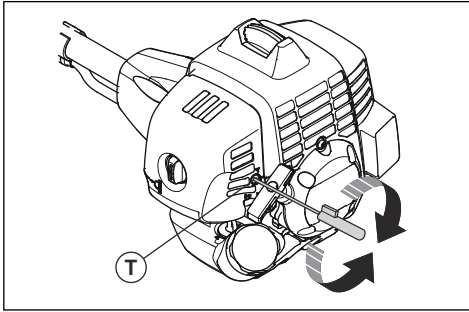
1. 确保消音器未损坏。
2. 确保消音器已正确安装在产品上。

调整怠速

Husqvarna 产品按照有助于降低有害废气排放的规范制造。

1. 在调整怠速之前，确保空气滤清器清洁并且装上空气滤清器外壳。
2. 用带有“T”标记的怠速螺钉调节怠速。

- a) 顺时针转动怠速螺钉 T，直至切割刀片开始转动。



- b) 逆时针转动怠速螺钉 T，直至切割刀片停止转动。



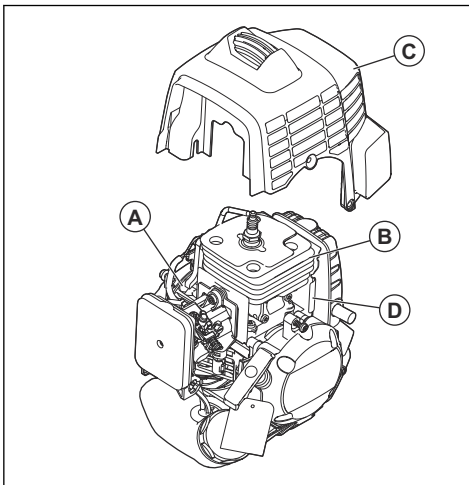
警告： 如果调整怠速时切割刀片不停转动，请咨询您的保养代理商。在未正确调整或修理产品之前，请勿使用产品。

3. 当引擎在所有位置都能平稳运行时，表明怠速正常。怠速必须低于切割刀片开始转动时对应的转速。

注意： 有关建议的怠速，请参阅 *技术参数* 在第 42 页上。

冷却系统

冷却系统可保持引擎温度降低。冷却系统包括飞轮 (A) 上的散热片、汽缸 (B) 上的散热片、汽缸罩 (C) 和消音器板 (D)。



清洁冷却系统



警告： 冷却系统脏污或堵塞会造成过热。这会导致活塞和气缸损坏。

1. 请用刷子至少一周清洁一次冷却系统的零部件。

清洁空气滤清器

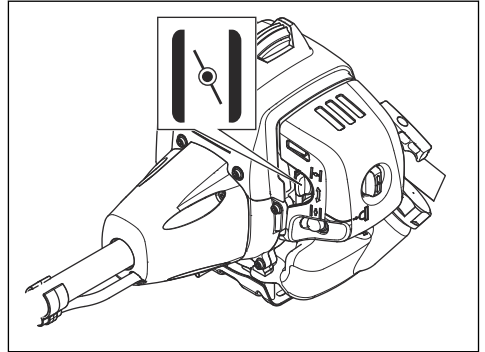
按照 25 小时的时间间隔清洁滤清器。如果需要，可以更频繁地清洁。



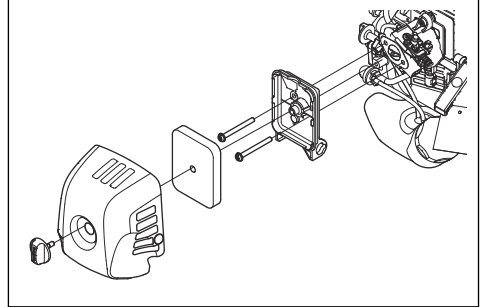
小心： 请务必更换已损坏、极脏或浸有燃油的空气滤清器。

如果空气滤清器的使用时间较长，则可能无法对其进行彻底清洁。请定期将空气滤清器更换为新的。

1. 关闭风门。



2. 拆下空气滤清器外壳。



3. 拆下空气滤清器。
4. 用温肥皂水清洁空气滤清器。
5. 如果空气滤清器过于污垢而无法完全清洁，应予以更换。务必更换损坏的空气滤清器。
6. 清洁空气滤清器外壳的内表面。使用压缩空气或刷子。
7. 确保空气滤清器干燥。
8. 在空气滤清器上涂抹 Husqvarna 二冲程机油。如果空气滤清器上的机油太多，请在安装空气滤清器之前清除多余的机油。

在海绵空气滤清器上涂抹机油

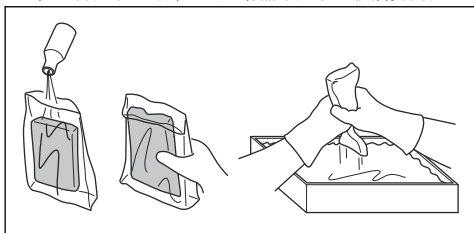


小心： 务必使用 Husqvarna 专用空气滤清器机油。切勿使用其他类型的机油。



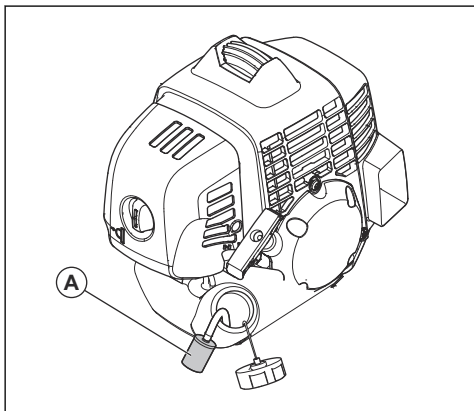
警告： 戴上保护手套。空气滤清器机油对皮肤有刺激性。

1. 将海绵空气滤清器放入塑料袋中。
2. 将机油加入塑料袋中。
3. 搓揉塑料袋，确保机油均匀渗入海绵空气滤清器中。
4. 在塑料袋中将海绵空气滤清器中多余的机油挤出。



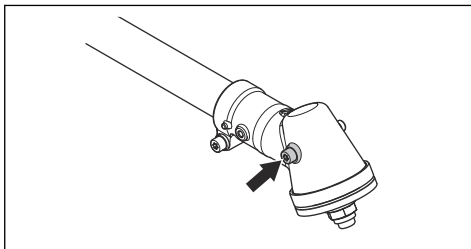
燃油滤清器

如果引擎在运行时燃油供给不足，请确保燃油箱盖和燃油滤清器 (A) 未堵塞。



向斜齿轮添加润滑脂

- 确保向斜齿轮加注斜齿轮润滑脂至 $\frac{3}{4}$ 满。

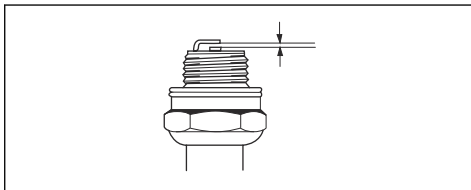


检查火花塞



小心： 务必使用建议的火花塞类型。火花塞类型不正确可能导致产品损坏。

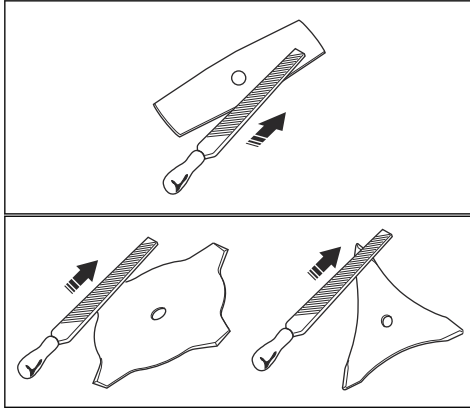
- 如果引擎动力不足，请检查火花塞是否不容易启动或者怠速时是否运行不正确。
- 为降低在火花塞电极上出现多余物质的风险，请遵循这些说明：
 - a) 确保已正确调节怠速。
 - b) 确保混合燃油正确。
 - c) 确保空气滤清器清洁。
- 如果火花塞脏污，请进行清洁并确保电极间隙正确，请参阅技术参数在第 42 页上。



- 必要时请更换火花塞。

修磨割草刀和割草刀片

- 均匀地修磨割草刀和割草刀片的所有刀刃，以保持均衡。使用单纹扁锉。



故障排除

启动故障		
检查	可能原因	解决方案
停止按钮	停止位置	将停止开关设置到开始位置。
启动器棘爪	棘爪固定	调节或更换棘爪。
		清洁棘爪四周。
		请联系获得批准的保养代理商。
燃油箱	燃油类型不正确。	排空并使用正确的燃油。
化油器	调节怠速。	通过螺钉 T 调节怠速。
火花 (无火花)	火花塞脏污或受潮。	确保火花塞干燥清洁。
	火花塞间隙不当。	清洁火花塞。检查跳火间距是否适当。确保火花塞安装有抑制器。 正确的跳火间距请参考技术资料。
火花塞	火花塞松动。	拧紧火花塞。

引擎启动但不保持运转		
检查	可能原因	解决方案
燃油箱	燃油类型不正确。	排空并使用正确的燃油。

引擎启动但不保持运转		
检查	可能原因	解决方案
化油器	引擎怠速不正确。	请联系保养代理商。
空气滤清器	空气滤清器堵塞。	清洁空气滤清器。

运输及存放

- 运输期间请固定好设备，以免造成损坏或导致发生事故。
- 将产品和设备存放在干燥、防冻的区域。
- 清洁本产品。
- 更换或维修受损组件。
- 使用正确的防护罩遮住产品，以防止受潮。
- 在运输期间请确保产品可靠固定。

技术参数

技术资料

543RS	
引擎	
汽缸排量 (cm ³)	40.1
缸径 (mm)	40.5
汽缸行程长度 (mm)	31.1
怠速 (rpm)	3000±200
建议的最大转速 (rpm)	12000
输出轴速度 (rpm)	8570
最大引擎输出 (按照 ISO kW/hp @ rpm)	2.01/1.5 @ 9000
点火系统	
火花塞	NGK CMR7H-10
电极间距 (mm)	0.9-1.0
燃油和润滑系统	
燃油箱容量 (l/cm ³)	0.75/750
重量	
重量 (kg)	7.2
噪声级	
操作员耳旁的等效声压级，根据 EN ISO 11806 和 ISO 22868 测量得出 ³ ，dB(A)	95

³ 等效声压级的报告数据中具有 1 dB (A) 的典型统计离差 (标准偏差)。

	543RS
振动水平	
手柄的等效振动水平 ($a_{hv,eq}$)，根据 EN ISO 11806 和 ISO 22867 测量得出 ⁴	
配有打草头 (原装)，左/右，单位为 m/s^2	6.3/4.9

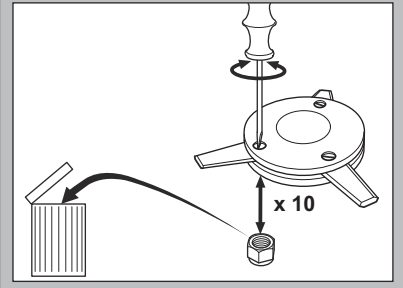
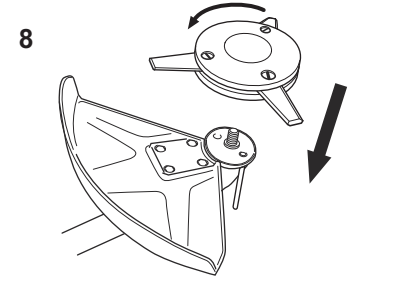
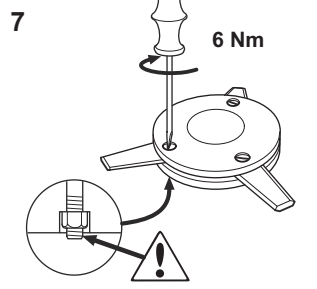
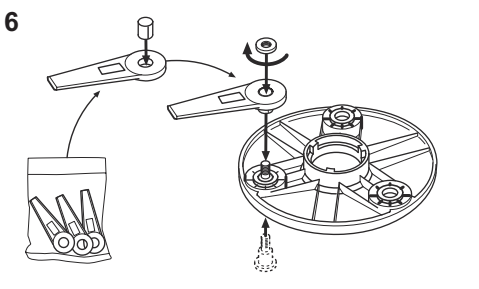
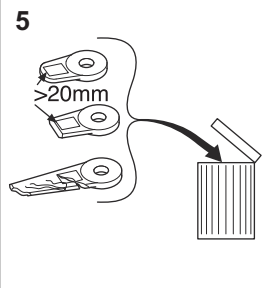
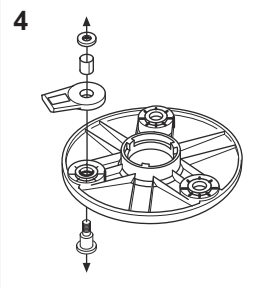
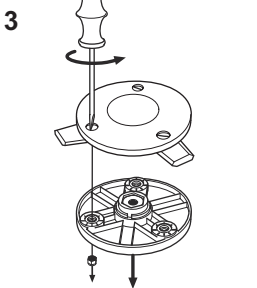
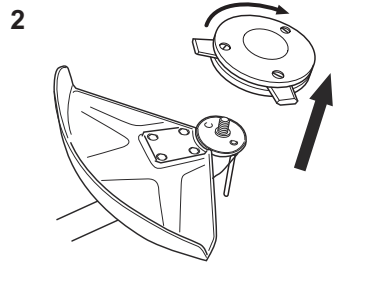
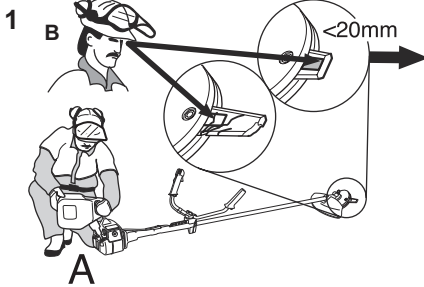
附件

附件

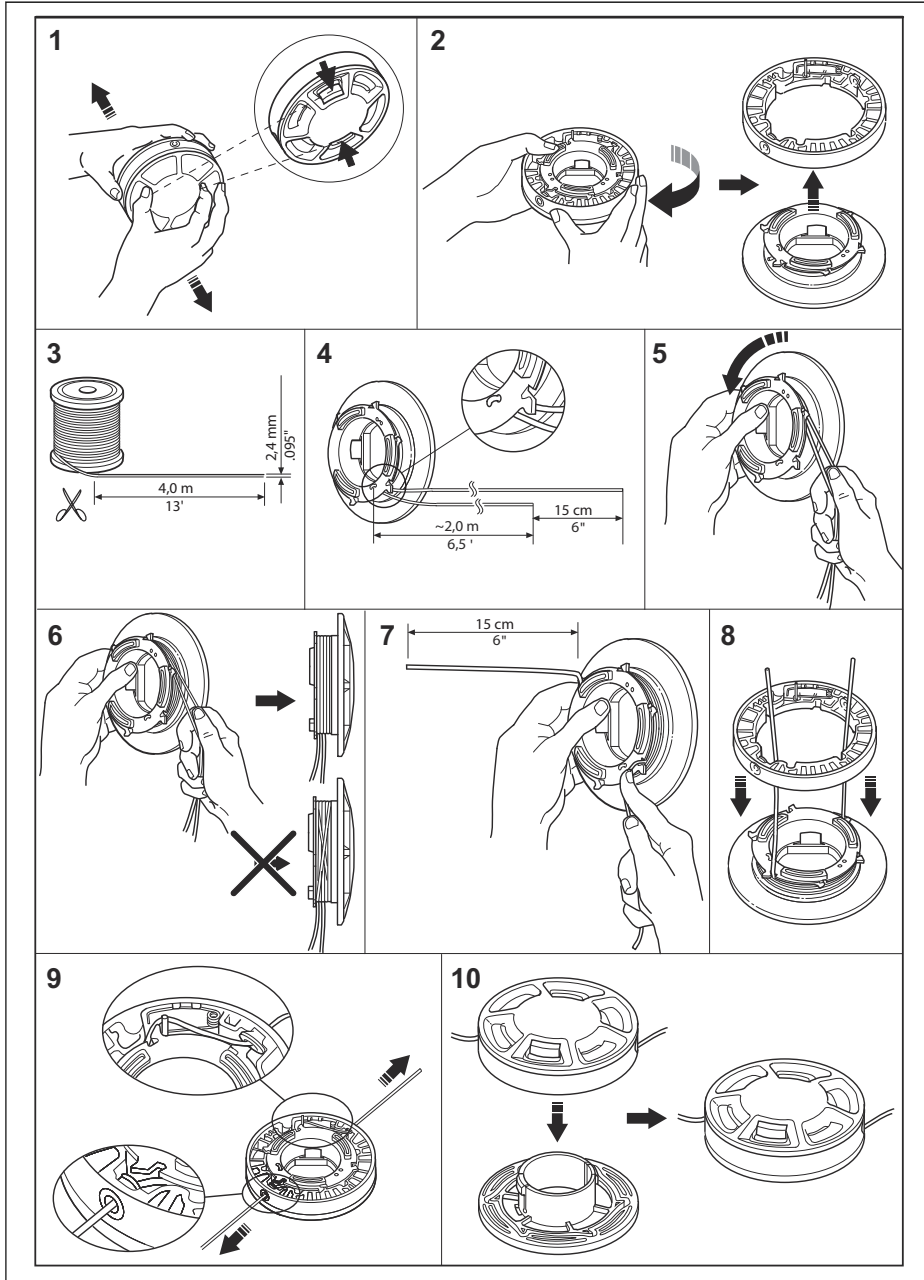
经批准使用的附件	附件类型	切割刀片防护罩，货号
割草刀片/割草刀	Grass 255-4 1" (Ø 255, 4 齿)	584 40 43-01
	Multi 255-3 (Ø 255, 3 齿)	584 40 43-01
	Grass 275-4 (Ø 275, 4 齿)	584 40 43-01
塑料刀片	Tricut Ø 300 mm (独立刀片的货号为 531 01 77-15)	584 40 43-01
打草头	Superauto II	584 40 43-01
	T35、T35X (Ø 2.4-3.0 mm 打草绳)	584 40 43-01
	T45x (Ø 2.7-3.3 mm 打草绳)	584 40 43-01
	F35 (Ø 2.0-3.5 mm 打草绳)	584 40 43-01
	PT104	584 40 43-01
支撑杯	固定	-

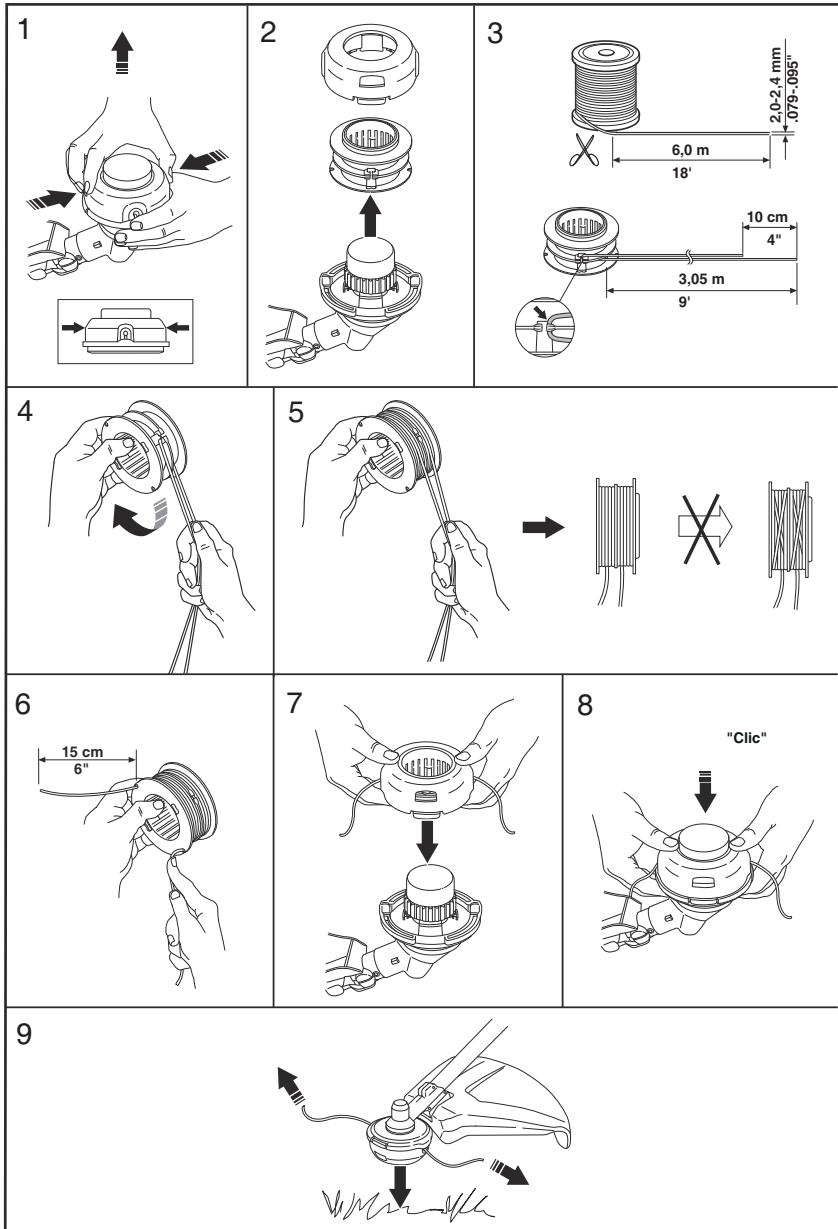
⁴ 等效振动级的报告数据中具有一个 1 米/秒^2 的典型统计离差 (标准偏差)。

Tri Cut

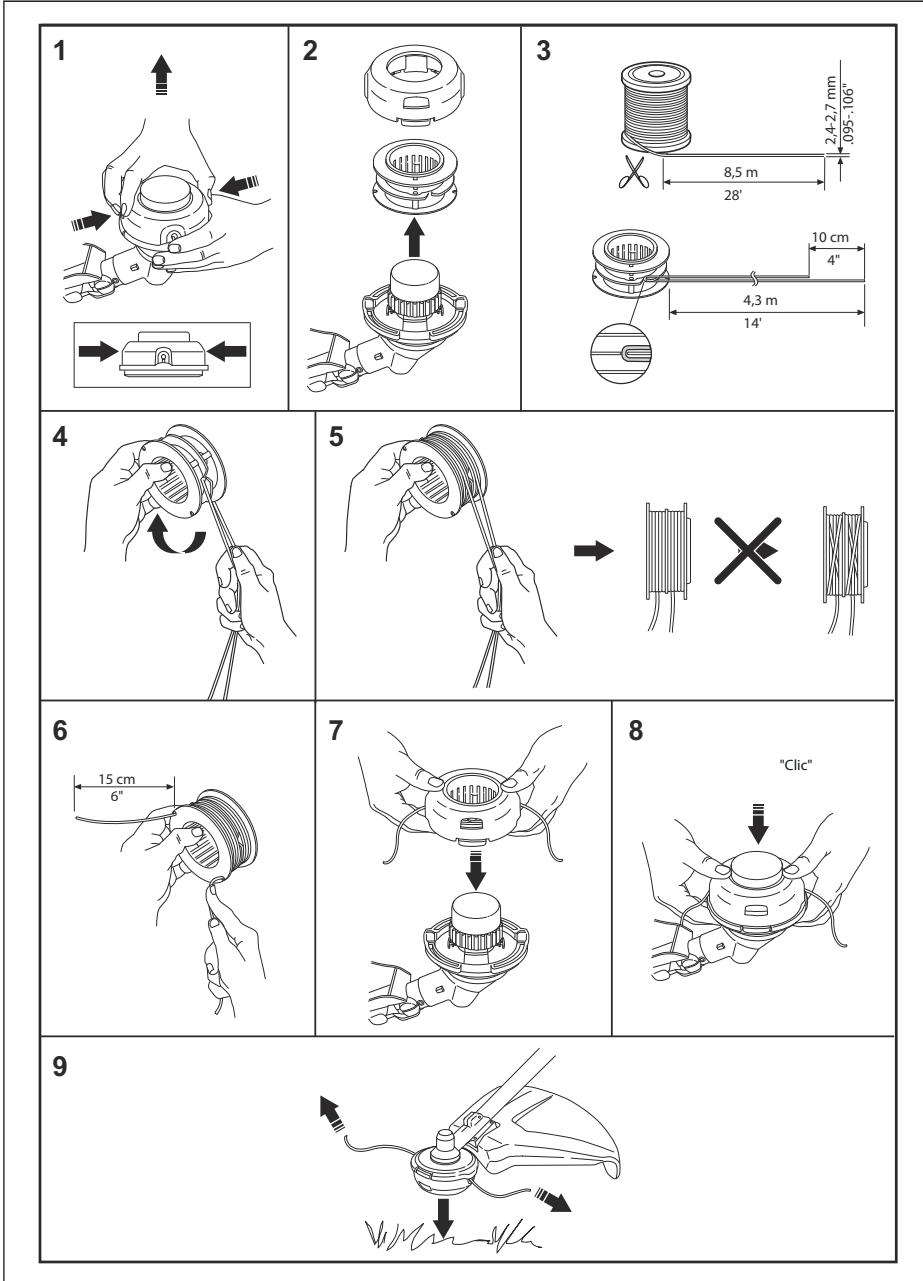


Super Auto II

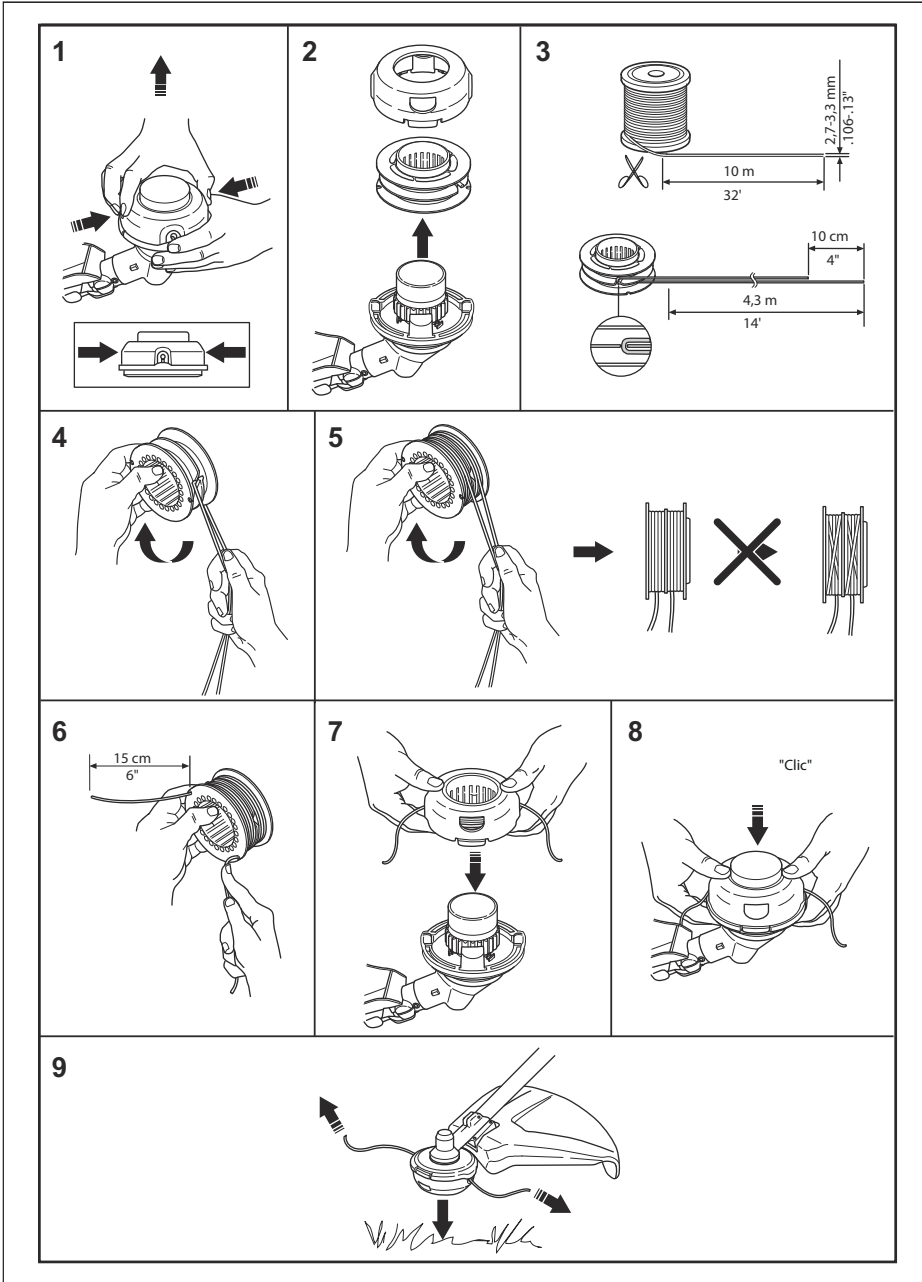


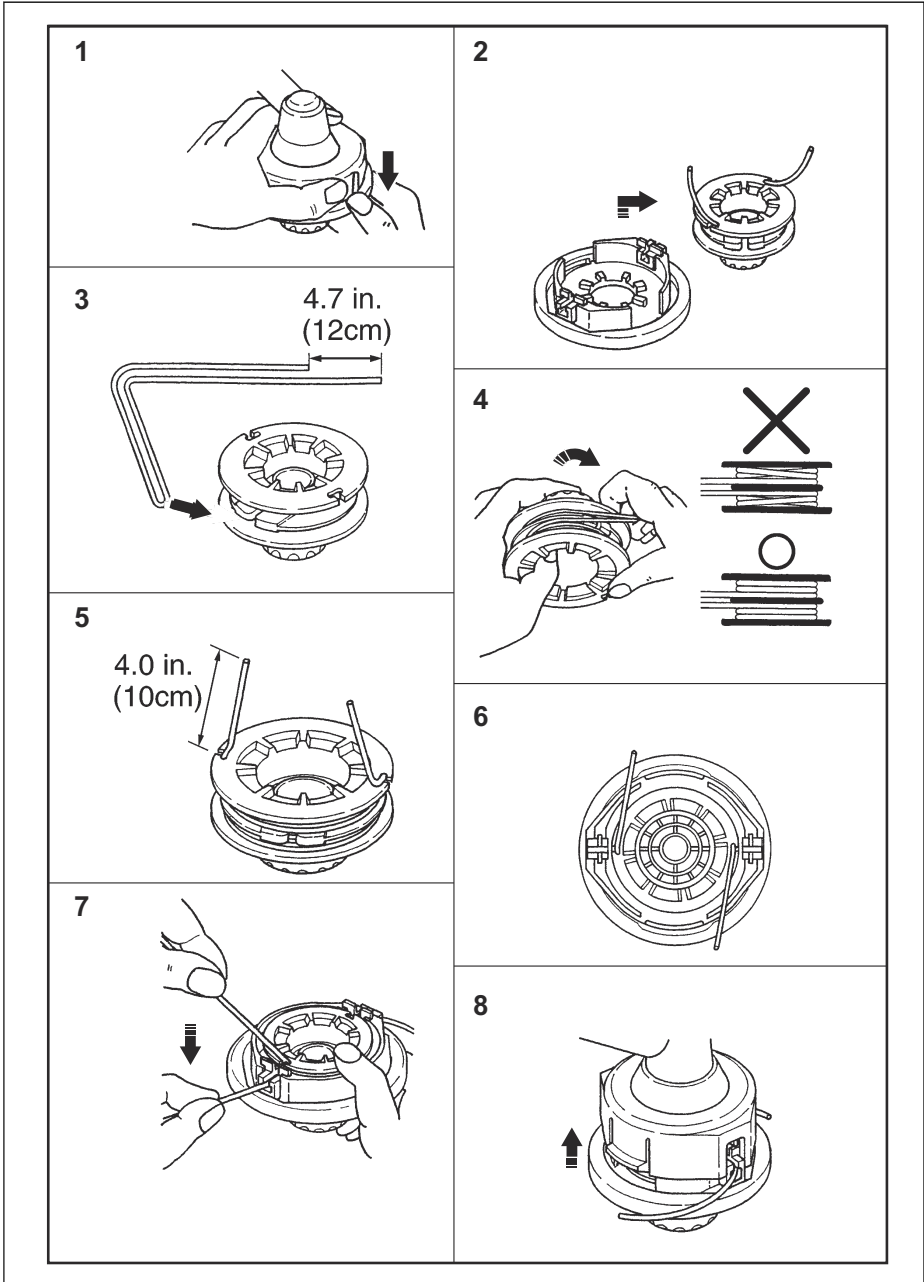


T35, T35X



T45, T45X







www.husqvarna.com

Original instructions
原始说明

1141488-94



2019-12-27