

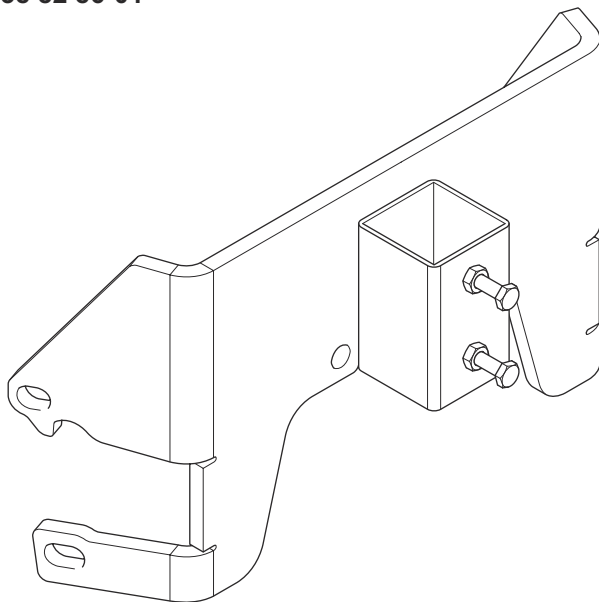


**Husqvarna®**

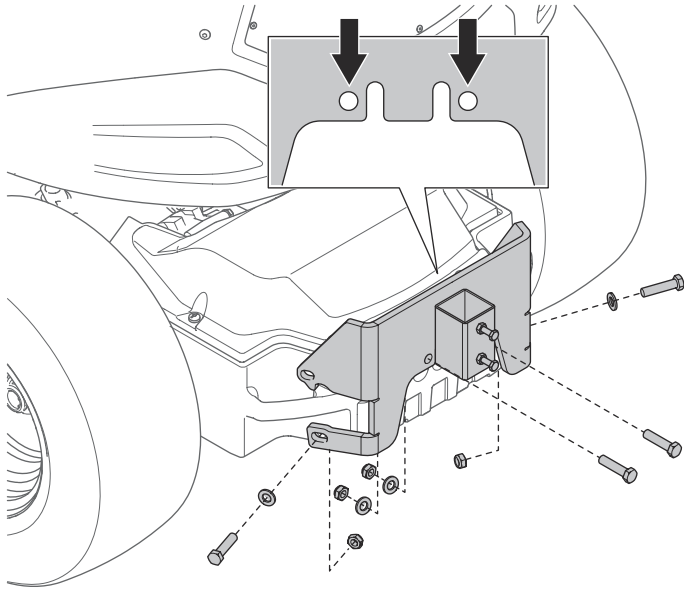
## **Husqvarna Attachments**

**Bracket kit 538 82 86-01**

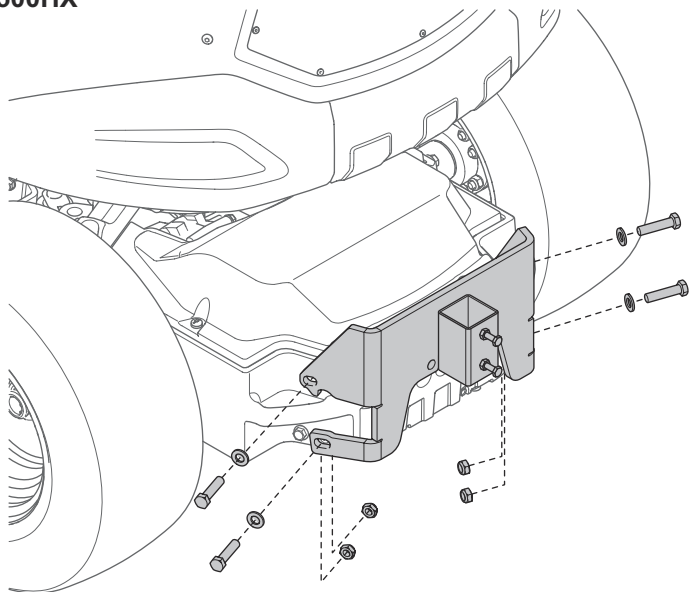
**Bracket kit: 538 82 86-01**



**⚠ Model P 500D, P 500DX, P 500X**



**⚠ Model P 500HX**





[www.husqvarna.com](http://www.husqvarna.com)

Original instructions



1143449-38

Rev. B



2024-06-03